



# Schülpe

## Stempel und Matrizen

passend für das Fabrikat **MUBEA**



## Verwendungsübersicht

### Schülpe Stempel und Matrizen passend für Lochstanzen des Fabrikat MUBEA

Modell / Model	Stempel / punches						Matrizen / dies																
	ST 15 (50505-1)	ST 30 (50505-2)	ST 40 (50505-3)	ST 50 (50505-4)	50516	50525	MA 30 (50633)	MA 45 (50638)	MA 60 (50639)	MA 80 (50640)	WSM45 (50653-1)	LWQ45 (50679-1)	LWQ60 (50679-2)	LWQ45 (50680-1)	LWL60 (50680-2)	LWQU45 (50681-1)	LWQU60 (50681-2)	LWLU45 (50682-1)	LWLU60 (50682-2)	LWQU45 (50683-1)	LWQU60 (50683-2)		
KBL 11 N ab Masch.-Nr. / from serial no. 3534 KBL OPTIMA 11, KBL OPTIMA 45-20, KBL OPTIMA 560, MIW 600	X	X	O	O			X	X	O	O	X	X		X		X		X		X		X	
KBL 13 ab Masch.-Nr. / from serial no. 1790 KBL OPTIMA 13, KBL OPTIMA 65-30, KBL OPTIMA 750	X	X	O	O			X	X	O	O	X	X		X		X		X		X		X	
KBL 16 ab Masch.-Nr. / from serial no. 2599 KBL OPTIMA 16; KBL OPTIMA 80-40	X	X	O	O			X	X	O	O	X	X		X		X		X		X		X	
KBL OPTIMA 900	X	X	X	O			X	X	X	O	X	X	X	X	X	X	X	X	X	X	X	X	X
KBL 20 ab masch.-Nr. / from serial no. 2708 KBL OPTIMA 20; KBL OPTIMA 100-50, KBL OPTIMA 1100	X	X	X	O			X	X	X	O	X	X	X	X	X	X	X	X	X	X	X	X	X
KBL 25 ab Masch.-Nr. / serial no. 9821 KBL OPTIMA 25, KBL OPTIMA 130-70, KBL OPTIMA 1300	X	X	X	O			X	X	X	O	X	X	X	X	X	X	X	X	X	X	X	X	X
KLS 1100	X	X	X	O			X	X	X	O	X	X	X	X	X	X	X	X	X	X	X	X	X
KL 10, KL 30, KL 350	X	X	O	O			X	X	O	O	X	X		X		O		O		O		O	
KL 11, KL OPTIMA 45, KL OPTIMA 560 KL 13, KL OPTIMA 65, KL OPTIMA 750 KL 16, KL OPTIMA 80	X	X	O	O			X	X	O	O	X	X		X		X		X		X		X	
KL OPTIMA 900, KL 20, KL OPTIMA 100, KL OPTIMA 1100, KL 25, KL OPTIMA 130, KL OPTIMA 1300, KL 100, KL 160	X	X	X	O			X	X	X	O	X	X	X	X	X	X	X	X	X	X	X	X	X
BF 10, BF 30-12; BF 350					X	X	X	X															
BFL 35, BFL 350, BFLH 400	X	X	O	O			X	X	O	O	X	X		X		O		O		O		O	
HP 350/600, HP 450/760	X	X	O	O			X	X	O	O	X	X		X									
HPS 250	X	X					X	X			X	X		X		O		O					
HPS 350, HPS 350 E, HPSN 450	X	X	O				X	X	O		X	X	O	X	O	O	O	O	O	O	O	O	O
HPSN 600	X	X	O	O			X	X	O	O	X	X		X		O		O		O		O	
HPSN 350, HPSN 500, HPSN 750	X	X	O	O			X	X	O	O	X	X	O	X	O	O	O	O	O	O	O	O	O
HIW 450, HIW 600	X	X	O	O			X	X	O	O	X	X		X		O		O		O		O	
HIW 1000	X	X	X	O			X	X	X	O	X	X	X	X	X	O		O		O		O	
KLSH 550	X	X	O	O			X	X	O	O	X	X		X		X		X		X		X	
KLSH 900, KLSH 1100/KBLH 100, HP 1000/760	X	X	X	O			X	X	X	O	X	X	X	X	X	X	X	X	X	X	X	X	X
KLH 300/610, KLH 500/610, KLH 700/760 KBLH 300, KBLH 500, KBLH 700	X	X	O	O			X	X	O	O	X	X		X		X		X		X		X	
HIW 550, HIW 750	X	X	O	O			X	X	O	O	X	X		X		X		X		X		X	
HIW 1000 ab Baujahr / from year of constr.1987	X	X	X	O			X	X	X	O	X	X	X	X	X	X	X	X	X	X	X	X	X
MIW 400	X	X	O	O			X	X	O	O	X	X		X		O		O		O		O	
MIW 600, MIW 800, PROFI 500	X	X	O	O			X	X	O	O	X	X		X		X		X		X		X	

**O = Einsatzbar nur mit Sonderstanzvorrichtung**  
**To be used only with special punching attachment**

### Schneidspiel zwischen Stempel und Matrize

Die Größe des zu stanzenden Loches wird durch das Ist-Maß des Stempels bestimmt.  
Das Schneidspiel zwischen Stempel und Matrize sollte bei ca. 10 % der zu stanzenden Materialdicke liegen.

Das Ist-Maß der Matrizenöffnung ergibt sich aus dem Ist-Maß des Stempels plus dem erforderlichen Schneidspiel. ( Schneidspiel = 2 x Schneidspalt ).

Wenn Sie bei Ihrer Bestellung kein Maß für das Schneidspiel nennen, dann erhalten Sie Rund- und Vierkant-Matrizen mit folgendem Spiel:

Stempelmaß	bis 5 mm	von 5 bis 22 mm	von 22 bis 39,5 mm	über 39,5 mm
Schneidspiel	0,2 mm	0,7 mm	1,2 mm	0,2 mm
Materialdicke	bis 4 mm	von 4 bis 9 mm	von 9 bis 14 mm	bis 4 mm

Die Matrizen-Signierung entspricht dem Ist-Maß der Schneidöffnung. Dadurch können Sie Matrizen mit dem jeweils exakten Schneidspiel auswählen und bestellen.

#### Beispiel:

Der zu stanzende Lochdurchmesser soll 25 mm betragen:

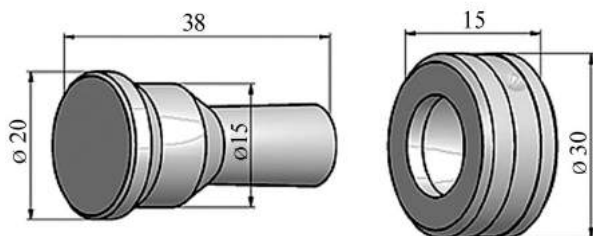
Materialdicke	bis 4 mm	von 4 bis 9 mm	von 9 bis 14 mm	von 14 bis 19 mm	von 19 bis 24 mm
Schneidspiel	0,2 mm	0,7 mm	1,2 mm	1,7 mm	2,2 mm
Matrizenöffnung	25,2 mm	25,7 mm	26,2 mm	26,7 mm	27,2 mm

Langlochmatrizen sind wahlweise mit 0,3 oder 1,0 mm Schneidspiel lieferbar

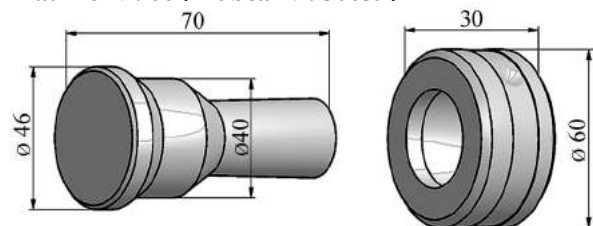
Auf Wunsch können Matrizen mit anderem Schneidspiel gefertigt werden.  
( Mehrpreis auf Anfrage )

Die im Katalog aufgeführten Abmessungen sind in Millimeter angegeben.

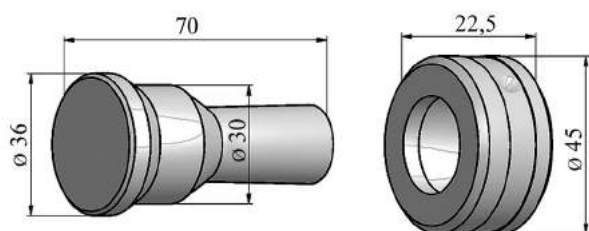
**Stempel Nr. 15 (Mubea-Nr. 50505-1)**  
**Matrize Nr. 30 (Mubea-Nr. 50633)**



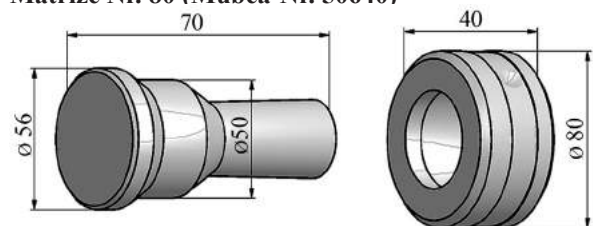
**Stempel Nr. 40 (Mubea-Nr. 50505-3)**  
**Matrize Nr. 60 (Mubea-Nr. 50639)**

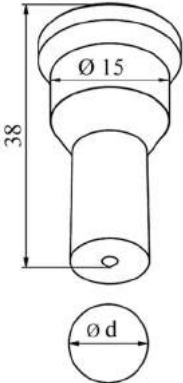
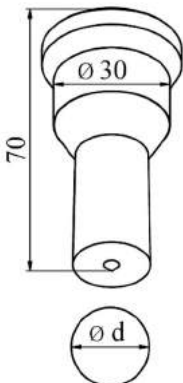
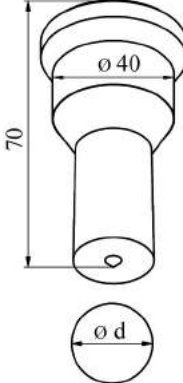


**Stempel Nr. 30 (Mubea-Nr. 50505-2)**  
**Matrize Nr. 45 (Mubea-Nr. 50638)**

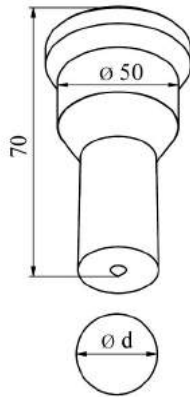


**Stempel Nr. 50 (Mubea-Nr. 50505-4)**  
**Matrize Nr. 80 (Mubea-Nr. 50640)**



<b>Rundstempel Nr. 15 (Nr. 1)</b>	<b>Rundstempel Nr. 30 (Nr. 2)</b>	<b>Rundstempel Nr. 40 (Nr. 3)</b>
round punch Mubea Nr. 50505-1	round punch Mubea Nr. 50505-2	round punch Mubea Nr. 50505-3
		
<b>d=</b>	<b>d=</b>	<b>d=</b>
<b>Best.-Nr.</b>	<b>Best.-Nr.</b>	<b>Best.-Nr.</b>
3.0 3.5 4.0 4.5 5.0 5.5 6.0 6.5 7.0 7.5 8.0 8.5 9.0 9.5 10.0 10.5 11.0 11.5 12.0 12.5 13.0 13.5 14.0 14.5 15.0	15.5 16.0 16.5 17.0 17.5 18.0 18.5 19.0 19.5 20.0 20.5 21.0 21.5 22.0 22.5 23.0 23.5 24.0 24.5 25.0 25.5 26.0 26.5 27.0 27.5 28.0 28.5 29.0 29.5 30.0	30.5 31.0 31.5 32.0 32.5 33.0 33.5 34.0 34.5 35.0 35.5 36.0 36.5 37.0 37.5 38.0 38.5 39.0 39.5 40.0
M-RST15-0030 M-RST15-0035 M-RST15-0040 M-RST15-0045 M-RST15-0050 M-RST15-0055 M-RST15-0060 M-RST15-0065 M-RST15-0070 M-RST15-0075 M-RST15-0080 M-RST15-0085 M-RST15-0090 M-RST15-0095 M-RST15-0100 M-RST15-0105 M-RST15-0110 M-RST15-0115 M-RST15-0120 M-RST15-0125 M-RST15-0130 M-RST15-0135 M-RST15-0140 M-RST15-0145 M-RST15-0150	M-RST30-0155 M-RST30-0160 M-RST30-0165 M-RST30-0170 M-RST30-0175 M-RST30-0180 M-RST30-0185 M-RST30-0190 M-RST30-0195 M-RST30-0200 M-RST30-0205 M-RST30-0210 M-RST30-0215 M-RST30-0220 M-RST30-0225 M-RST30-0230 M-RST30-0235 M-RST30-0240 M-RST30-0245 M-RST30-0250 M-RST30-0255 M-RST30-0260 M-RST30-0265 M-RST30-0270 M-RST30-0275 M-RST30-0280 M-RST30-0285 M-RST30-0290 M-RST30-0295 M-RST30-0300	M-RST40-0305 M-RST40-0310 M-RST40-0315 M-RST40-0320 M-RST40-0325 M-RST40-0330 M-RST40-0335 M-RST40-0340 M-RST40-0345 M-RST40-0350 M-RST40-0355 M-RST40-0360 M-RST40-0365 M-RST40-0370 M-RST40-0375 M-RST40-0380 M-RST40-0385 M-RST40-0390 M-RST40-0395 M-RST40-0400

**Rundstempel Nr. 50 (Nr. 4)**

 round punch  
 Mubea Nr. 50505-4


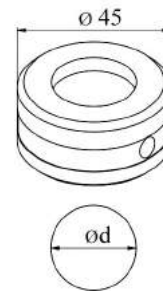
d=	Best.-Nr.
40.5	M-RST50-0405
41.0	M-RST50-0410
41.5	M-RST50-0415
42.0	M-RST50-0420
42.5	M-RST50-0425
43.0	M-RST50-0430
43.5	M-RST50-0435
44.0	M-RST50-0440
44.5	M-RST50-0445
45.0	M-RST50-0450
45.5	M-RST50-0455
46.0	M-RST50-0460
46.5	M-RST50-0465
47.0	M-RST50-0470
47.5	M-RST50-0475
48.0	M-RST50-0480
48.5	M-RST50-0485
49.0	M-RST50-0490
49.5	M-RST50-0495
50.0	M-RST50-0500

**Rundmatrize Nr. 30**

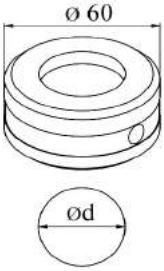
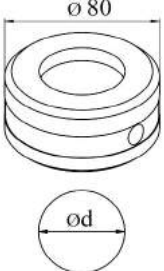
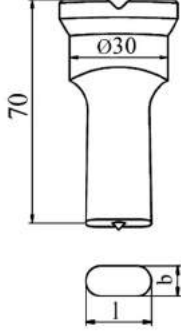
 round die  
 Mubea Nr. 50633


d=	Best.-Nr.
3.2	M-RMA30-0032
3.7	M-RMA30-0037
4.2	M-RMA30-0042
4.7	M-RMA30-0047
5.2	M-RMA30-0052
5.7	M-RMA30-0057
6.2	M-RMA30-0062
6.7	M-RMA30-0067
7.2	M-RMA30-0072
7.7	M-RMA30-0077
8.2	M-RMA30-0082
8.7	M-RMA30-0087
9.2	M-RMA30-0092
9.7	M-RMA30-0097
10.2	M-RMA30-0102
10.7	M-RMA30-0107
11.2	M-RMA30-0112
11.7	M-RMA30-0117
12.2	M-RMA30-0122
12.7	M-RMA30-0127
13.2	M-RMA30-0132
13.7	M-RMA30-0137
14.2	M-RMA30-0142
14.7	M-RMA30-0147
15.2	M-RMA30-0152
15.7	M-RMA30-0157
16.2	M-RMA30-0162

**Rundmatrize Nr. 45**

 round die  
 Mubea Nr. 50638


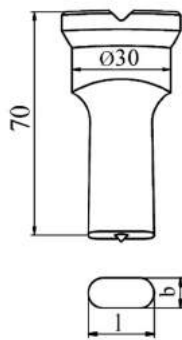
d=	Best.-Nr.
15.7	M-RMA45-0157
16.2	M-RMA45-0162
16.7	M-RMA45-0167
17.2	M-RMA45-0172
17.7	M-RMA45-0177
18.2	M-RMA45-0182
18.7	M-RMA45-0187
19.2	M-RMA45-0192
19.7	M-RMA45-0197
20.2	M-RMA45-0202
20.7	M-RMA45-0207
21.2	M-RMA45-0212
21.7	M-RMA45-0217
22.2	M-RMA45-0222
22.7	M-RMA45-0227
23.2	M-RMA45-0232
23.7	M-RMA45-0237
24.2	M-RMA45-0242
24.7	M-RMA45-0247
25.2	M-RMA45-0252
25.7	M-RMA45-0257
26.2	M-RMA45-0262
26.7	M-RMA45-0267
27.2	M-RMA45-0272
27.7	M-RMA45-0277
28.2	M-RMA45-0282
28.7	M-RMA45-0287
29.2	M-RMA45-0292
29.7	M-RMA45-0297
30.2	M-RMA45-0302
30.7	M-RMA45-0307
31.2	M-RMA45-0312
31.7	M-RMA45-0317

<b>Rundmatrize</b>		<b>Nr. 60</b>	<b>Rundmatrize</b>		<b>Nr. 80</b>	<b>Langloch-Stempel</b>		<b>Nr. 30 (Nr. 2)</b>
round die			round die			oblong punch		
Mubea Nr. 50639			Mubea Nr. 50640			Mubea Nr. 50505-2		
								
<b>d=</b>	<b>Best.-Nr.</b>		<b>d=</b>	<b>Best.-Nr.</b>		<b>b x l</b>	<b>Best.-Nr.</b>	
30.7	M-RMA60-0307		40.7	M-RMA80-0407		5,0 x 10,0	M-LST30-050100	
31.2	M-RMA60-0312		41.2	M-RMA80-0412		5,0 x 13,0	M-LST30-050130	
31.7	M-RMA60-0317		41.7	M-RMA80-0417		5,0 x 15,0	M-LST30-050150	
32.2	M-RMA60-0322		42.2	M-RMA80-0422		5,0 x 20,0	M-LST30-050200	
32.7	M-RMA60-0327		42.7	M-RMA80-0427		5,0 x 25,0	M-LST30-050250	
33.2	M-RMA60-0332		43.2	M-RMA80-0432		5,5 x 11,0	M-LST30-055110	
33.7	M-RMA60-0337		43.7	M-RMA80-0437		5,5 x 13,0	M-LST30-055130	
34.2	M-RMA60-0342		44.2	M-RMA80-0442		5,5 x 15,0	M-LST30-055150	
34.7	M-RMA60-0347		44.7	M-RMA80-0447		5,5 x 20,0	M-LST30-055200	
35.2	M-RMA60-0352		45.2	M-RMA80-0452		5,5 x 25,0	M-LST30-055250	
35.7	M-RMA60-0357		45.7	M-RMA80-0457		6,5 x 13,0	M-LST30-065130	
36.2	M-RMA60-0362		46.2	M-RMA80-0462		6,5 x 15,0	M-LST30-065150	
36.7	M-RMA60-0367		46.7	M-RMA80-0467		6,5 x 20,0	M-LST30-065200	
37.2	M-RMA60-0372		47.2	M-RMA80-0472		6,5 x 25,0	M-LST30-065250	
37.7	M-RMA60-0377		47.7	M-RMA80-0477		6,5 x 30,0	M-LST30-065300	
38.2	M-RMA60-0382		48.2	M-RMA80-0482		7,0 x 15,0	M-LST30-070150	
38.7	M-RMA60-0387		48.7	M-RMA80-0487		7,0 x 20,0	M-LST30-070200	
39.2	M-RMA60-0392		49.2	M-RMA80-0492		7,0 x 25,0	M-LST30-070250	
39.7	M-RMA60-0397		49.7	M-RMA80-0497		7,0 x 30,0	M-LST30-070300	
40.2	M-RMA60-0402		50.2	M-RMA80-0502		8,0 x 13,0	M-LST30-080130	
40.7	M-RMA60-0407		50.7	M-RMA80-0507		8,0 x 16,0	M-LST30-080160	
41.2	M-RMA60-0412		51.2	M-RMA80-0512		8,0 x 20,0	M-LST30-080200	
41.7	M-RMA60-0417					8,0 x 25,0	M-LST30-080250	
42.2	M-RMA60-0422					8,0 x 30,0	M-LST30-080300	
						9,0 x 13,0	M-LST30-090130	
						9,0 x 18,0	M-LST30-090180	
						9,0 x 20,0	M-LST30-090200	
						9,0 x 25,0	M-LST30-090250	
						9,0 x 30,0	M-LST30-090300	
						9,5 x 13,0	M-LST30-095130	
						9,5 x 15,0	M-LST30-095150	
						9,5 x 20,0	M-LST30-095200	
						9,5 x 25,0	M-LST30-095250	
						9,5 x 30,0	M-LST30-095300	

### Langloch- Stempel

Nr. 30 (Nr. 2)

oblong punch  
Mubea Nr. 50505-2

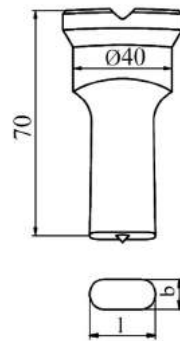


b x l	Best.-Nr.
10,5 x 15,0	M-LST30-105150
10,5 x 21,0	M-LST30-105210
10,5 x 25,0	M-LST30-105250
10,5 x 30,0	M-LST30-105300
11,0 x 15,0	M-LST30-110150
11,0 x 20,0	M-LST30-110200
11,0 x 25,0	M-LST30-110250
11,0 x 30,0	M-LST30-110300
12,0 x 20,0	M-LST30-120200
12,0 x 25,0	M-LST30-120250
12,0 x 30,0	M-LST30-120300
13,0 x 20,0	M-LST30-130200
13,0 x 25,0	M-LST30-130250
13,0 x 30,0	M-LST30-130300
13,5 x 20,0	M-LST30-135200
13,5 x 25,0	M-LST30-135250
13,5 x 30,0	M-LST30-135300
14,0 x 20,0	M-LST30-140200
14,0 x 25,0	M-LST30-140250
14,0 x 30,0	M-LST30-140300
16,0 x 25,0	M-LST30-160250
16,0 x 30,0	M-LST30-160300
17,5 x 25,0	M-LST30-175250
17,5 x 30,0	M-LST30-175300
18,0 x 30,0	M-LST30-180300
19,0 x 25,0	M-LST30-190250
19,0 x 30,0	M-LST30-190300
20,5 x 25,0	M-LST30-205250
20,5 x 30,0	M-LST30-205300
22,0 x 30,0	M-LST30-220300
22,5 x 30,0	M-LST30-225300
24,0 x 30,0	M-LST30-240300
25,5 x 30,0	M-LST30-255300

### Langloch- Stempel

Nr. 40 (Nr. 3)

oblong punch  
Mubea Nr. 50505-3

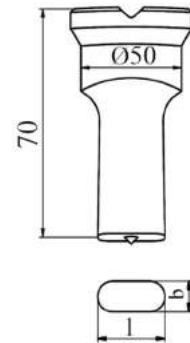


b x l	Best.-Nr.
11,0 x 35,0	M-LST40-110350
11,0 x 40,0	M-LST40-110400
13,5 x 35,0	M-LST40-135350
13,5 x 40,0	M-LST40-135400
14,0 x 35,0	M-LST40-140350
14,0 x 40,0	M-LST40-140400
16,0 x 35,0	M-LST40-160350
16,0 x 40,0	M-LST40-160400
17,5 x 35,0	M-LST40-175350
17,5 x 40,0	M-LST40-175400
19,0 x 35,0	M-LST40-190350
19,0 x 40,0	M-LST40-190400
20,5 x 35,0	M-LST40-205350
20,5 x 40,0	M-LST40-205400
22,5 x 35,0	M-LST40-225350
22,5 x 40,0	M-LST40-225400
24,0 x 40,0	M-LST40-240400
25,5 x 40,0	M-LST40-255400
26,0 x 40,0	M-LST40-260400
27,0 x 40,0	M-LST40-270400

### Langloch- Stempel

Nr. 50 (Nr. 4)

oblong punch  
Mubea Nr. 50505-4



b x l	Best.-Nr.
11,0 x 45,0	M-LST50-110450
11,0 x 50,0	M-LST50-110500
13,5 x 50,0	M-LST50-135500
17,5 x 50,0	M-LST50-175500
20,5 x 50,0	M-LST50-205500
22,5 x 50,0	M-LST50-225500
24,0 x 50,0	M-LST50-240500
25,5 x 50,0	M-LST50-255500
26,0 x 50,0	M-LST50-260500
27,0 x 50,0	M-LST50-270500

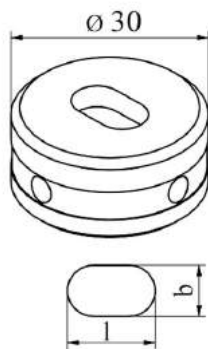


**Langloch-  
Matrize**

**Nr. 30**

oblong die

Mubea Nr. 50633



**b x l**

**Best.-Nr.**

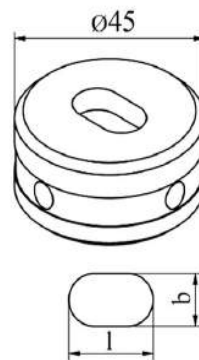
5,3 x 10,3	M-LMA30-053103
5,3 x 13,3	M-LMA30-053133
5,3 x 15,3	M-LMA30-053153
5,8 x 11,3	M-LMA30-058113
5,8 x 13,3	M-LMA30-058133
5,8 x 15,3	M-LMA30-058153
6,0 x 11,0	M-LMA30-060110
6,0 x 14,0	M-LMA30-060140
6,0 x 16,0	M-LMA30-060160
6,5 x 12,0	M-LMA30-065120
6,5 x 14,0	M-LMA30-065140
6,5 x 16,0	M-LMA30-065160
6,8 x 13,3	M-LMA30-068133
6,8 x 15,3	M-LMA30-068153
7,3 x 15,3	M-LMA30-073153
7,5 x 14,0	M-LMA30-075140
7,5 x 16,0	M-LMA30-075160
8,0 x 16,0	M-LMA30-080160
8,3 x 13,3	M-LMA30-083133
9,0 x 14,0	M-LMA30-090140
9,3 x 13,3	M-LMA30-093133
9,8 x 13,3	M-LMA30-098133
9,8 x 15,3	M-LMA30-098153
10,0 x 14,0	M-LMA30-100140
10,5 x 14,0	M-LMA30-105140
10,5 x 16,0	M-LMA30-105160
10,8 x 15,3	M-LMA30-108153
11,3 x 15,3	M-LMA30-113153
11,5 x 16,0	M-LMA30-115160
12,0 x 16,0	M-LMA30-120160

**Langloch-  
Matrize**

**Nr. 45**

oblong die

Mubea Nr. 50638



**b x l**

**Best.-Nr.**

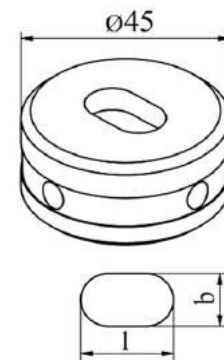
5,3 x 20,3	M-LMA45-053203
5,3 x 25,3	M-LMA45-053253
5,8 x 20,3	M-LMA45-058203
5,8 x 25,3	M-LMA45-058253
6,0 x 21,0	M-LMA45-060210
6,0 x 26,0	M-LMA45-060260
6,5 x 21,0	M-LMA45-065210
6,5 x 26,0	M-LMA45-065260
6,8 x 20,3	M-LMA45-068203
6,8 x 25,3	M-LMA45-068253
6,8 x 30,3	M-LMA45-068303
7,3 x 20,3	M-LMA45-073203
7,3 x 25,3	M-LMA45-073253
7,3 x 30,3	M-LMA45-073303
7,5 x 21,0	M-LMA45-075210
7,5 x 26,0	M-LMA45-075260
7,5 x 31,0	M-LMA45-075310
8,0 x 21,0	M-LMA45-080210
8,0 x 26,0	M-LMA45-080260
8,0 x 31,0	M-LMA45-080310
8,3 x 16,3	M-LMA45-083163
8,3 x 20,3	M-LMA45-083203
8,3 x 25,3	M-LMA45-083253
8,3 x 30,3	M-LMA45-083303
9,0 x 17,0	M-LMA45-090170
9,0 x 21,0	M-LMA45-090210
9,0 x 26,0	M-LMA45-090260
9,0 x 31,0	M-LMA45-090310
9,3 x 18,3	M-LMA45-093183
9,3 x 20,3	M-LMA45-093203
9,3 x 25,3	M-LMA45-093253
9,3 x 30,3	M-LMA45-093303
9,8 x 20,3	M-LMA45-098203

**Langloch-  
Matrize**

**Nr. 45**

oblong die

Mubea Nr. 50638



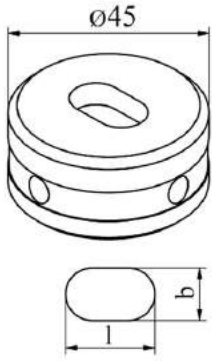
**b x l**

**Best.-Nr.**

9,8 x 25,3	M-LMA45-098253
9,8 x 30,3	M-LMA45-098303
10,0 x 19,0	M-LMA45-100190
10,0 x 21,0	M-LMA45-100210
10,0 x 26,0	M-LMA45-100260
10,0 x 31,0	M-LMA45-100310
10,5 x 21,0	M-LMA45-105210
10,5 x 26,0	M-LMA45-105260
10,5 x 31,0	M-LMA45-105310
10,8 x 21,3	M-LMA45-108213
10,8 x 25,3	M-LMA45-108253
10,8 x 30,3	M-LMA45-108303
11,3 x 20,3	M-LMA45-113203
11,3 x 25,3	M-LMA45-113253
11,3 x 30,3	M-LMA45-113303
11,5 x 22,0	M-LMA45-115220
11,5 x 26,0	M-LMA45-115260
11,5 x 31,0	M-LMA45-115310
12,0 x 21,0	M-LMA45-120210
12,0 x 26,0	M-LMA45-120260
12,0 x 31,0	M-LMA45-120310
12,3 x 20,3	M-LMA45-123203
12,3 x 25,3	M-LMA45-123253
12,3 x 30,3	M-LMA45-123303
13,0 x 21,0	M-LMA45-130210
13,0 x 26,0	M-LMA45-130260
13,0 x 31,0	M-LMA45-130310
13,3 x 20,3	M-LMA45-133203
13,3 x 25,3	M-LMA45-133253
13,3 x 30,3	M-LMA45-133303
13,8 x 20,3	M-LMA45-138203
13,8 x 25,3	M-LMA45-138253
13,8 x 30,3	M-LMA45-138303

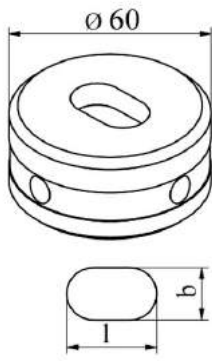


**Langloch-Matrize** Nr. 45  
 oblong die  
 Mubea Nr. 50638



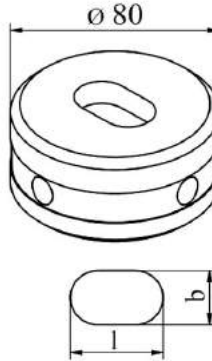
b x l	Best.-Nr.
14,0 x 21,0	M-LMA45-140210
14,0 x 26,0	M-LMA45-140260
14,0 x 31,0	M-LMA45-140310
14,3 x 20,3	M-LMA45-143203
14,3 x 25,3	M-LMA45-143253
14,3 x 30,3	M-LMA45-143303
14,5 x 21,0	M-LMA45-145210
14,5 x 26,0	M-LMA45-145260
14,5 x 31,0	M-LMA45-145310
15,0 x 21,0	M-LMA45-150210
15,0 x 26,0	M-LMA45-150260
15,0 x 31,0	M-LMA45-150310
16,3 x 25,3	M-LMA45-163253
16,3 x 30,3	M-LMA45-163303
17,0 x 26,0	M-LMA45-170260
17,0 x 31,0	M-LMA45-170310
17,8 x 25,3	M-LMA45-178253
17,8 x 30,3	M-LMA45-178303
18,5 x 26,0	M-LMA45-185260
18,5 x 31,0	M-LMA45-185310
19,0 x 31,0	M-LMA45-190310
19,3 x 25,3	M-LMA45-193253
19,3 x 30,3	M-LMA45-193303
20,0 x 26,0	M-LMA45-200260
20,0 x 31,0	M-LMA45-200310
20,8 x 25,3	M-LMA45-208253
20,8 x 30,3	M-LMA45-208303
21,5 x 26,0	M-LMA45-215260
21,5 x 31,0	M-LMA45-215310
22,3 x 30,3	M-LMA45-223303
22,8 x 30,3	M-LMA45-228303
23,0 x 31,0	M-LMA45-230310
23,5 x 31,0	M-LMA45-235310
24,3 x 30,3	M-LMA45-243303
25,0 x 31,0	M-LMA45-250310
25,8 x 30,3	M-LMA45-258303
26,5 x 31,0	M-LMA45-265310

**Langloch-Matrize** Nr. 60  
 oblong die  
 Mubea Nr. 50639

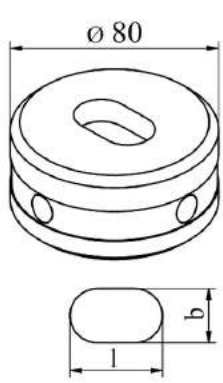
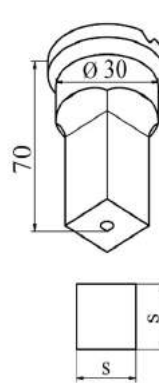
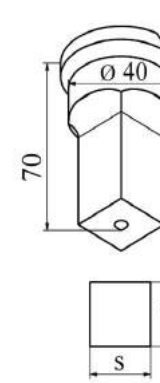


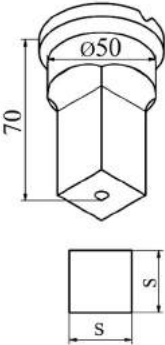
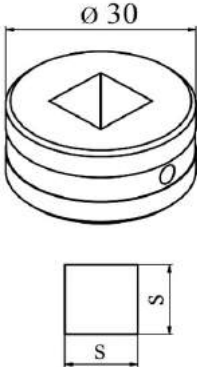
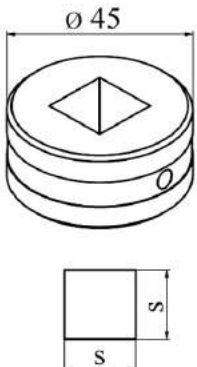
b x l	Best.-Nr.
11,3 x 35,3	M-LMA60-113353
11,3 x 40,3	M-LMA60-113403
12,0 x 36,0	M-LMA60-120360
12,0 x 41,0	M-LMA60-120410
13,8 x 35,3	M-LMA60-138353
13,8 x 40,3	M-LMA60-138403
14,3 x 35,3	M-LMA60-143353
14,3 x 40,3	M-LMA60-143403
14,5 x 36,0	M-LMA60-145360
14,5 x 41,0	M-LMA60-145410
15,0 x 36,0	M-LMA60-150360
15,0 x 41,0	M-LMA60-150410
16,3 x 35,3	M-LMA60-163353
16,3 x 40,3	M-LMA60-163403
17,0 x 36,0	M-LMA60-170360
17,0 x 41,0	M-LMA60-170410
17,8 x 35,3	M-LMA60-178353
17,8 x 40,3	M-LMA60-178403
18,5 x 36,0	M-LMA60-185360
18,5 x 41,0	M-LMA60-185410
19,3 x 35,3	M-LMA60-193353
19,3 x 40,3	M-LMA60-193403
20,0 x 36,0	M-LMA60-200360
20,0 x 41,0	M-LMA60-200410
20,8 x 35,3	M-LMA60-208353
20,8 x 40,3	M-LMA60-208403
21,5 x 36,0	M-LMA60-215360
21,5 x 41,0	M-LMA60-215410
22,8 x 35,3	M-LMA60-228353
22,8 x 40,3	M-LMA60-228403

**Langloch-Matrize** Nr. 60  
 oblong die  
 Mubea Nr. 50639



b x l	Best.-Nr.
23,5 x 36,0	M-LMA60-235360
23,5 x 41,0	M-LMA60-235410
24,3 x 40,3	M-LMA60-243403
25,0 x 41,0	M-LMA60-250410
25,8 x 40,3	M-LMA60-258403
26,3 x 40,3	M-LMA60-263403
26,5 x 41,0	M-LMA60-265410
27,0 x 41,0	M-LMA60-270410
27,3 x 40,3	M-LMA60-273403
28,0 x 41,0	M-LMA60-280410

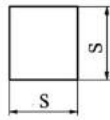
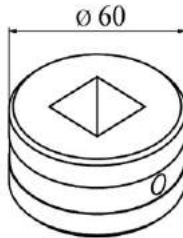
<b>Langloch-Matrize</b>		<b>Nr. 80</b>		<b>Vierkant-Stempel</b>		<b>Nr. 30 (Nr. 2)</b>		<b>Vierkant-Stempel</b>		<b>Nr. 40 (Nr. 3)</b>	
oblong die		Mubea Nr. 50640		square punch		Mubea Nr. 50505-2		square punch		Mubea Nr. 50505-3	
											
<b>b x l</b>	<b>Best.-Nr.</b>	<b>s=</b>	<b>Best.-Nr.</b>	<b>s=</b>	<b>Best.-Nr.</b>	<b>s=</b>	<b>Best.-Nr.</b>	<b>s=</b>	<b>Best.-Nr.</b>	<b>s=</b>	<b>Best.-Nr.</b>
11,3 x 45,3	M-LMA80-113453	4.0	M-VKS30-0040	21.5	M-VKS40-0215						
11,3 x 50,3	M-LMA80-113503	5.0	M-VKS30-0050	22.0	M-VKS40-0220						
12,0 x 46,0	M-LMA80-120460	6.0	M-VKS30-0060	22.5	M-VKS40-0225						
12,0 x 51,0	M-LMA80-120510	7.0	M-VKS30-0070	23.0	M-VKS40-0230						
13,8 x 50,3	M-LMA80-138503	8.0	M-VKS30-0080	23.5	M-VKS40-0235						
14,5 x 51,0	M-LMA80-145510	9.0	M-VKS30-0090	24.0	M-VKS40-0240						
17,8 x 50,3	M-LMA80-178503	10.0	M-VKS30-0100	24.5	M-VKS40-0245						
18,5 x 51,0	M-LMA80-185510	11.0	M-VKS30-0110	25.0	M-VKS40-0250						
20,8 x 50,3	M-LMA80-208503	12.0	M-VKS30-0120	25.5	M-VKS40-0255						
21,5 x 51,0	M-LMA80-215510	13.0	M-VKS30-0130	26.0	M-VKS40-0260						
22,8 x 50,3	M-LMA80-228503	14.0	M-VKS30-0140	26.5	M-VKS40-0265						
23,5 x 51,0	M-LMA80-235510	15.0	M-VKS30-0150	27.0	M-VKS40-0270						
24,3 x 50,3	M-LMA80-243503	16.0	M-VKS30-0160	27.5	M-VKS40-0275						
25,0 x 51,0	M-LMA80-250510	17.0	M-VKS30-0170	28.0	M-VKS40-0280						
25,8 x 50,3	M-LMA80-258503	18.0	M-VKS30-0180								
26,3 x 50,3	M-LMA80-263503	19.0	M-VKS30-0190								
26,5 x 51,0	M-LMA80-265510	20.0	M-VKS30-0200								
27,0 x 51,0	M-LMA80-270510	21.0	M-VKS30-0210								
27,3 x 50,3	M-LMA80-273503										
28,0 x 51,0	M-LMA80-280510										

Vierkant- Stempel	Nr. 50 (Nr. 4)	Vierkant- Matrize	Nr. 30	Vierkant- Matrize	Nr. 45
square punch Mubea Nr. 50505-4		square die Mubea Nr. 50633		square die Mubea Nr. 50638	
					
s=	Best-Nr.	s=	Best.-Nr.	s=	Best.-Nr.
28.5	M-VKS50-0285	4.2	M-VKM30-0042	11.7	M-VKM45-0117
29.0	M-VKS50-0290	4.7	M-VKM30-0047	12.2	M-VKM45-0122
29.5	M-VKS50-0295	5.2	M-VKM30-0052	12.7	M-VKM45-0127
30.0	M-VKS50-0300	5.7	M-VKM30-0057	13.2	M-VKM45-0132
30.5	M-VKS50-0305	6.2	M-VKM30-0062	13.7	M-VKM45-0137
31.0	M-VKS50-0310	6.7	M-VKM30-0067	14.2	M-VKM45-0142
31.5	M-VKS50-0315	7.2	M-VKM30-0072	14.7	M-VKM45-0147
32.0	M-VKS50-0320	7.7	M-VKM30-0077	15.2	M-VKM45-0152
32.5	M-VKS50-0325	8.2	M-VKM30-0082	15.7	M-VKM45-0157
33.0	M-VKS50-0330	8.7	M-VKM30-0087	16.2	M-VKM45-0162
33.5	M-VKS50-0335	9.2	M-VKM30-0092	16.7	M-VKM45-0167
34.0	M-VKS50-0340	9.7	M-VKM30-0097	17.2	M-VKM45-0172
34.5	M-VKS50-0345	10.2	M-VKM30-0102	17.7	M-VKM45-0177
35.0	M-VKS50-0350	10.7	M-VKM30-0107	18.2	M-VKM45-0182
		11.2	M-VKM30-0112	18.7	M-VKM45-0187
				19.2	M-VKM45-0192
				19.7	M-VKM45-0197
				20.2	M-VKM45-0202
				20.7	M-VKM45-0207
				21.2	M-VKM45-0212
				21.7	M-VKM45-0217
				22.2	M-VKM45-0222

**Vierkant-  
Matrize**

**Nr. 60**

square die  
Mubea Nr. 50639



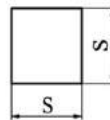
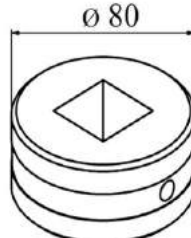
s= **Best.-Nr.**

21.7	M-VKM60-0217
22.2	M-VKM60-0222
22.7	M-VKM60-0227
23.2	M-VKM60-0232
23.7	M-VKM60-0237
24.2	M-VKM60-0242
24.7	M-VKM60-0247
25.2	M-VKM60-0252
25.7	M-VKM60-0257
26.2	M-VKM60-0262
26.7	M-VKM60-0267
27.2	M-VKM60-0272
27.7	M-VKM60-0277
28.2	M-VKM60-0282
28.7	M-VKM60-0287
29.2	M-VKM60-0292

**Vierkant-  
Matrize**

**Nr. 80**

square die  
Mubea Nr. 50640



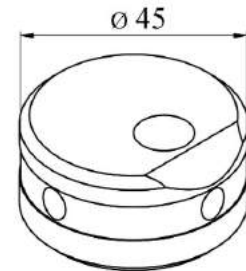
s= **Best.-Nr.**

28.7	M-VKM80-0287
29.2	M-VKM80-0292
29.7	M-VKM80-0297
30.2	M-VKM80-0302
30.7	M-VKM80-0307
31.2	M-VKM80-0312
31.7	M-VKM80-0317
32.2	M-VKM80-0322
32.7	M-VKM80-0327
33.2	M-VKM80-0332
33.7	M-VKM80-0337
34.2	M-VKM80-0342
34.7	M-VKM80-0347
35.2	M-VKM80-0352
35.7	M-VKM80-0357

**Winkelstahl-  
Matrize**

**Nr. 45 E**

offset round die  
Mubea Nr. 50653-1



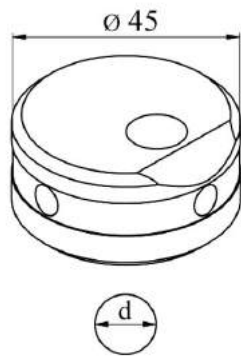
d= **Best.-Nr.**

3.2	M-WSM45E-0032
3.7	M-WSM45E-0037
4.2	M-WSM45E-0042
4.7	M-WSM45E-0047
5.2	M-WSM45E-0052
5.7	M-WSM45E-0057
6.2	M-WSM45E-0062
6.7	M-WSM45E-0067
7.2	M-WSM45E-0072
7.7	M-WSM45E-0077
8.2	M-WSM45E-0082
8.7	M-WSM45E-0087
9.2	M-WSM45E-0092
9.7	M-WSM45E-0097
10.2	M-WSM45E-0102
10.7	M-WSM45E-0107
11.2	M-WSM45E-0112
11.7	M-WSM45E-0117
12.2	M-WSM45E-0122
12.7	M-WSM45E-0127
13.2	M-WSM45E-0132
13.7	M-WSM45E-0137
14.2	M-WSM45E-0142
14.7	M-WSM45E-0147
15.2	M-WSM45E-0152
15.7	M-WSM45E-0157
16.2	M-WSM45E-0162
16.7	M-WSM45E-0167

**Winkelstahl-  
Matrize**

**Nr. 45 E**

offset round die  
Mubea Nr. 50653-1

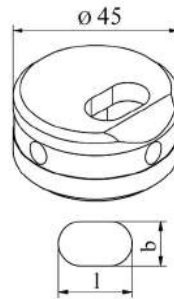


d=	Best.-Nr.
17.2	M-WSM45E-0172
17.7	M-WSM45E-0177
18.2	M-WSM45E-0182
18.7	M-WSM45E-0187
19.2	M-WSM45E-0192
19.7	M-WSM45E-0197
20.2	M-WSM45E-0202
20.7	M-WSM45E-0207
21.2	M-WSM45E-0212
21.7	M-WSM45E-0217
22.2	M-WSM45E-0222
22.7	M-WSM45E-0227
23.2	M-WSM45E-0232
23.7	M-WSM45E-0237
24.2	M-WSM45E-0242
24.7	M-WSM45E-0247
25.2	M-WSM45E-0252
25.7	M-WSM45E-0257
26.2	M-WSM45E-0262
26.7	M-WSM45E-0267
27.2	M-WSM45E-0272
27.7	M-WSM45E-0277
28.2	M-WSM45E-0282
28.7	M-WSM45E-0287
29.2	M-WSM45E-0292
29.7	M-WSM45E-0297

**Langloch-  
Winkelstahl-  
Matrize**

**Nr. 45 E**

quer  
oblong offset die transverse  
Mubea Nr. 50679-1

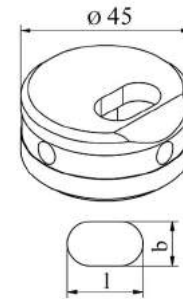


b x l	Best.-Nr.
5,3 x 10,3	M-LWQ45E-053103
5,3 x 13,3	M-LWQ45E-053133
5,3 x 15,3	M-LWQ45E-053153
5,3 x 20,3	M-LWQ45E-053203
5,3 x 25,3	M-LWQ45E-053253
5,8 x 11,3	M-LWQ45E-058113
5,8 x 13,3	M-LWQ45E-058133
5,8 x 15,3	M-LWQ45E-058153
5,8 x 20,3	M-LWQ45E-058203
5,8 x 25,3	M-LWQ45E-058253
6,0 x 11,0	M-LWQ45E-060110
6,0 x 14,0	M-LWQ45E-060140
6,0 x 16,0	M-LWQ45E-060160
6,0 x 21,0	M-LWQ45E-060210
6,0 x 26,0	M-LWQ45E-060260
6,5 x 12,0	M-LWQ45E-065120
6,5 x 14,0	M-LWQ45E-065140
6,5 x 16,0	M-LWQ45E-065160
6,5 x 21,0	M-LWQ45E-065210
6,5 x 26,0	M-LWQ45E-065260
6,8 x 13,3	M-LWQ45E-068133
6,8 x 15,3	M-LWQ45E-068153
6,8 x 20,3	M-LWQ45E-068203
6,8 x 25,3	M-LWQ45E-068253
6,8 x 30,3	M-LWQ45E-068303
7,3 x 15,3	M-LWQ45E-073153
7,3 x 20,3	M-LWQ45E-073203
7,3 x 25,3	M-LWQ45E-073253
7,3 x 30,3	M-LWQ45E-073303
7,5 x 14,0	M-LWQ45E-075140
7,5 x 16,0	M-LWQ45E-075160
7,5 x 21,0	M-LWQ45E-075210
7,5 x 26,0	M-LWQ45E-075260
7,5 x 31,0	M-LWQ45E-075310

**Langloch-  
Winkelstahl-  
Matrize**

**Nr. 45 E**

quer  
oblong offset die transverse  
Mubea Nr. 50679-1



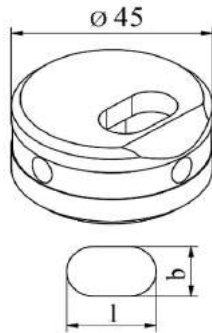
b x l	Best.-Nr.
8,0 x 16,0	M-LWQ45E-080160
8,0 x 21,0	M-LWQ45E-080210
8,0 x 26,0	M-LWQ45E-080260
8,0 x 31,0	M-LWQ45E-080310
8,3 x 13,3	M-LWQ45E-083133
8,3 x 16,3	M-LWQ45E-083163
8,3 x 20,3	M-LWQ45E-083203
8,3 x 25,3	M-LWQ45E-083253
8,3 x 30,3	M-LWQ45E-083303
9,0 x 14,0	M-LWQ45E-090140
9,0 x 17,0	M-LWQ45E-090170
9,0 x 21,0	M-LWQ45E-090210
9,0 x 26,0	M-LWQ45E-090260
9,0 x 31,0	M-LWQ45E-090310
9,3 x 13,3	M-LWQ45E-093133
9,3 x 18,3	M-LWQ45E-093183
9,3 x 20,3	M-LWQ45E-093203
9,3 x 25,3	M-LWQ45E-093253
9,3 x 30,3	M-LWQ45E-093303
9,8 x 13,3	M-LWQ45E-098133
9,8 x 15,3	M-LWQ45E-098153
9,8 x 20,3	M-LWQ45E-098203
9,8 x 25,3	M-LWQ45E-098253
9,8 x 30,3	M-LWQ45E-098303
10,0 x 14,0	M-LWQ45E-100140
10,0 x 19,0	M-LWQ45E-100190
10,0 x 21,0	M-LWQ45E-100210
10,0 x 26,0	M-LWQ45E-100260
10,0 x 31,0	M-LWQ45E-100310
10,5 x 14,0	M-LWQ45E-105140
10,5 x 16,0	M-LWQ45E-105160
10,5 x 21,0	M-LWQ45E-105210
10,5 x 26,0	M-LWQ45E-105260
10,5 x 31,0	M-LWQ45E-105310

**Langloch- Winkelstahl- Matrize quer**

**Nr. 45 E**

oblong offset die transverse

Mubea Nr. 50679-1



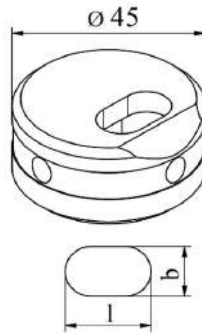
<b>b x l</b>	<b>Best.-Nr.</b>
10,8 x 15,3	M-LWQ45E-108153
10,8 x 21,3	M-LWQ45E-108213
10,8 x 25,3	M-LWQ45E-108253
10,8 x 30,3	M-LWQ45E-108303
11,3 x 15,3	M-LWQ45E-113153
11,3 x 20,3	M-LWQ45E-113203
11,3 x 25,3	M-LWQ45E-113253
11,3 x 30,3	M-LWQ45E-113303
11,5 x 16,0	M-LWQ45E-115160
11,5 x 22,0	M-LWQ45E-115220
11,5 x 26,0	M-LWQ45E-115260
11,5 x 31,0	M-LWQ45E-115310
12,0 x 16,0	M-LWQ45E-120160
12,0 x 21,0	M-LWQ45E-120210
12,0 x 26,0	M-LWQ45E-120160
12,0 x 31,0	M-LWQ45E-120310
12,3 x 20,3	M-LWQ45E-123203
12,3 x 25,3	M-LWQ45E-123253
12,3 x 30,3	M-LWQ45E-123303
13,0 x 21,0	M-LWQ45E-130210
13,0 x 26,0	M-LWQ45E-130260
13,0 x 31,0	M-LWQ45E-130310
13,3 x 20,3	M-LWQ45E-133203
13,3 x 25,3	M-LWQ45E-133253
13,3 x 30,3	M-LWQ45E-133303
13,8 x 20,3	M-LWQ45E-138203
13,8 x 25,3	M-LWQ45E-138253
13,8 x 30,3	M-LWQ45E-138303
14,0 x 21,0	M-LWQ45E-140210
14,0 x 26,0	M-LWQ45E-140260
14,0 x 31,0	M-LWQ45E-140310
14,3 x 20,3	M-LWQ45E-143203
14,3 x 25,3	M-LWQ45E-143253
14,3 x 30,3	M-LWQ45E-143303
14,5 x 21,0	M-LWQ45E-145210

**Langloch- Winkelstahl- Matrize quer**

**Nr. 45 E**

oblong offset die transverse

Mubea Nr. 50679-1



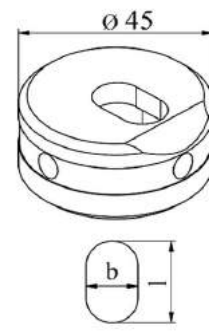
<b>b x l</b>	<b>Best.-Nr.</b>
14,5 x 26,0	M-LWQ45E-145260
14,5 x 31,0	M-LWQ45E-145310
15,0 x 21,0	M-LWQ45E-150210
15,0 x 26,0	M-LWQ45E-150260
15,0 x 31,0	M-LWQ45E-150310
16,3 x 25,3	M-LWQ45E-163253
16,3 x 30,3	M-LWQ45E-163303
17,0 x 26,0	M-LWQ45E-170260
17,0 x 31,0	M-LWQ45E-170310
17,8 x 25,3	M-LWQ45E-178253
17,8 x 30,3	M-LWQ45E-178303
18,5 x 26,0	M-LWQ45E-185260
18,5 x 31,0	M-LWQ45E-185310
19,3 x 25,3	M-LWQ45E-193253
19,3 x 30,3	M-LWQ45E-193303
20,0 x 26,0	M-LWQ45E-200260
20,0 x 31,0	M-LWQ45E-200310
20,8 x 25,3	M-LWQ45E-208253
20,8 x 30,3	M-LWQ45E-208303
21,5 x 26,0	M-LWQ45E-215260
21,5 x 31,0	M-LWQ45E-215310
22,8 x 30,3	M-LWQ45E-228303
23,5 x 31,0	M-LWQ45E-235310
24,3 x 30,3	M-LWQ45E-243303
25,0 x 31,0	M-LWQ45E-250310
25,8 x 30,3	M-LWQ45E-258303
26,5 x 31,0	M-LWQ45E-265310

**Langloch- Winkelstahl- Matrize längs**

**Nr. 45 E**

oblong offset die longitudinal

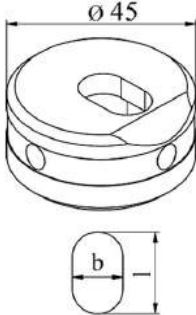
Mubea Nr. 50680-1



<b>b x l</b>	<b>Best.-Nr.</b>
5,3 x 10,3	M-LWL45E-053103
5,3 x 13,3	M-LWL45E-053133
5,3 x 15,3	M-LWL45E-053153
5,3 x 20,3	M-LWL45E-053203
5,3 x 25,3	M-LWL45E-053253
5,8 x 11,3	M-LWL45E-058113
5,8 x 13,3	M-LWL45E-058133
5,8 x 15,3	M-LWL45E-058153
5,8 x 20,3	M-LWL45E-058203
5,8 x 25,3	M-LWL45E-058253
6,0 x 11,0	M-LWL45E-060110
6,0 x 14,0	M-LWL45E-060140
6,0 x 16,0	M-LWL45E-060160
6,0 x 21,0	M-LWL45E-060210
6,0 x 26,0	M-LWL45E-060260
6,5 x 12,0	M-LWL45E-065120
6,5 x 14,0	M-LWL45E-065140
6,5 x 16,0	M-LWL45E-065160
6,5 x 21,0	M-LWL45E-065210
6,5 x 26,0	M-LWL45E-065260
6,8 x 13,3	M-LWL45E-068133
6,8 x 15,3	M-LWL45E-068153
6,8 x 20,3	M-LWL45E-068203
6,8 x 25,3	M-LWL45E-068253
6,8 x 30,3	M-LWL45E-068303
7,3 x 15,3	M-LWL45E-073153
7,3 x 20,3	M-LWL45E-073203
7,3 x 25,3	M-LWL45E-073253
7,3 x 30,3	M-LWL45E-073303
7,5 x 14,0	M-LWL45E-075140
7,5 x 16,0	M-LWL45E-075160
7,5 x 21,0	M-LWL45E-075210
7,5 x 26,0	M-LWL45E-075260
7,5 x 31,0	M-LWL45E-075310
8,0 x 16,0	M-LWL45E-080160

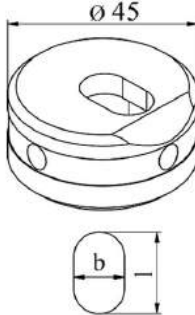


**Langloch-Winkelstahl-Matrize** **Nr. 45 E**  
**längs**  
 oblong offset die longitudinal  
 Mubea Nr. 50680-1



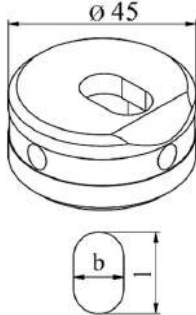
<b>b x l</b>	<b>Best.-Nr.</b>
8,0 x 21,0	M-LWL45E-080210
8,0 x 26,0	M-LWL45E-080260
8,0 x 31,0	M-LWL45E-080310
8,3 x 13,3	M-LWL45E-083133
8,3 x 16,3	M-LWL45E-083163
8,3 x 20,3	M-LWL45E-083203
8,3 x 25,3	M-LWL45E-083253
8,3 x 30,3	M-LWL45E-083303
9,0 x 14,0	M-LWL45E-090140
9,0 x 17,0	M-LWL45E-090170
9,0 x 21,0	M-LWL45E-090210
9,0 x 26,0	M-LWL45E-090260
9,0 x 31,0	M-LWL45E-090310
9,3 x 13,3	M-LWL45E-093133
9,3 x 18,3	M-LWL45E-093183
9,3 x 20,3	M-LWL45E-093203
9,3 x 25,3	M-LWL45E-093253
9,3 x 30,3	M-LWL45E-093303
9,8 x 13,3	M-LWL45E-098133
9,8 x 15,3	M-LWL45E-098153
9,8 x 20,3	M-LWL45E-098203
9,8 x 25,3	M-LWL45E-098253
9,8 x 30,3	M-LWL45E-098303
10,0 x 14,0	M-LWL45E-100140
10,0 x 19,0	M-LWL45E-100190
10,0 x 21,0	M-LWL45E-100210
10,0 x 26,0	M-LWL45E-100260
10,0 x 31,0	M-LWL45E-100310
10,5 x 14,0	M-LWL45E-105140
10,5 x 16,0	M-LWL45E-105160
10,5 x 21,0	M-LWL45E-105210
10,5 x 26,0	M-LWL45E-105260
10,5 x 31,0	M-LWL45E-105310

**Langloch-Winkelstahl-Matrize** **Nr. 45 E**  
**längs**  
 oblong offset die longitudinal  
 Mubea Nr. 50680-1



<b>b x l</b>	<b>Best.-Nr.</b>
10,8 x 15,3	M-LWL45E-108153
10,8 x 21,3	M-LWL45E-108213
10,8 x 25,3	M-LWL45E-108253
10,8 x 30,3	M-LWL45E-108303
11,3 x 15,3	M-LWL45E-113153
11,3 x 20,3	M-LWL45E-113203
11,3 x 25,3	M-LWL45E-113253
11,3 x 30,3	M-LWL45E-113303
11,5 x 16,0	M-LWL45E-115160
11,5 x 22,0	M-LWL45E-115220
11,5 x 26,0	M-LWL45E-115260
11,5 x 31,0	M-LWL45E-115310
12,0 x 16,0	M-LWL45E-120160
12,0 x 21,0	M-LWL45E-120210
12,0 x 26,0	M-LWL45E-120260
12,0 x 31,0	M-LWL45E-120310
12,3 x 20,3	M-LWL45E-123203
12,3 x 25,3	M-LWL45E-123253
12,3 x 30,3	M-LWL45E-123303
13,0 x 21,0	M-LWL45E-130210
13,0 x 26,0	M-LWL45E-130260
13,0 x 31,0	M-LWL45E-130310
13,3 x 20,3	M-LWL45E-133203
13,3 x 25,3	M-LWL45E-133253
13,3 x 30,3	M-LWL45E-133303
13,8 x 20,3	M-LWL45E-138203
13,8 x 25,3	M-LWL45E-138253
13,8 x 30,3	M-LWL45E-138303
14,0 x 21,0	M-LWL45E-140210
14,0 x 26,0	M-LWL45E-140260
14,0 x 31,0	M-LWL45E-140310
14,3 x 20,3	M-LWL45E-143203
14,3 x 25,3	M-LWL45E-143253

**Langloch-Winkelstahl-Matrize** **Nr. 45 E**  
**längs**  
 oblong offset die longitudinal  
 Mubea Nr. 50680-1



<b>b x l</b>	<b>Best.-Nr.</b>
14,3 x 30,3	M-LWL45E-143303
14,5 x 21,0	M-LWL45E-145210
14,5 x 26,0	M-LWL45E-145260
14,5 x 31,0	M-LWL45E-145310
15,0 x 21,0	M-LWL45E-150210
15,0 x 26,0	M-LWL45E-150260
15,0 x 31,0	M-LWL45E-150310
16,3 x 25,3	M-LWL45E-163253
16,3 x 30,3	M-LWL45E-163303
17,0 x 26,0	M-LWL45E-170260
17,0 x 31,0	M-LWL45E-170310
17,8 x 25,3	M-LWL45E-178253
17,8 x 30,3	M-LWL45E-178303
18,5 x 26,0	M-LWL45E-185260
18,5 x 31,0	M-LWL45E-185310
19,3 x 25,3	M-LWL45E-193253
19,3 x 30,3	M-LWL45E-193303
20,0 x 26,0	M-LWL45E-200260
20,0 x 31,0	M-LWL45E-200310
20,8 x 25,3	M-LWL45E-208253
20,8 x 30,3	M-LWL45E-208303
21,5 x 26,0	M-LWL45E-215260
21,5 x 31,0	M-LWL45E-215310
22,8 x 30,3	M-LWL45E-228303
23,5 x 31,0	M-LWL45E-235310
24,3 x 30,3	M-LWL45E-243303
25,0 x 31,0	M-LWL45E-250310
25,8 x 30,3	M-LWL45E-258303
26,5 x 31,0	M-LWL45E-265310

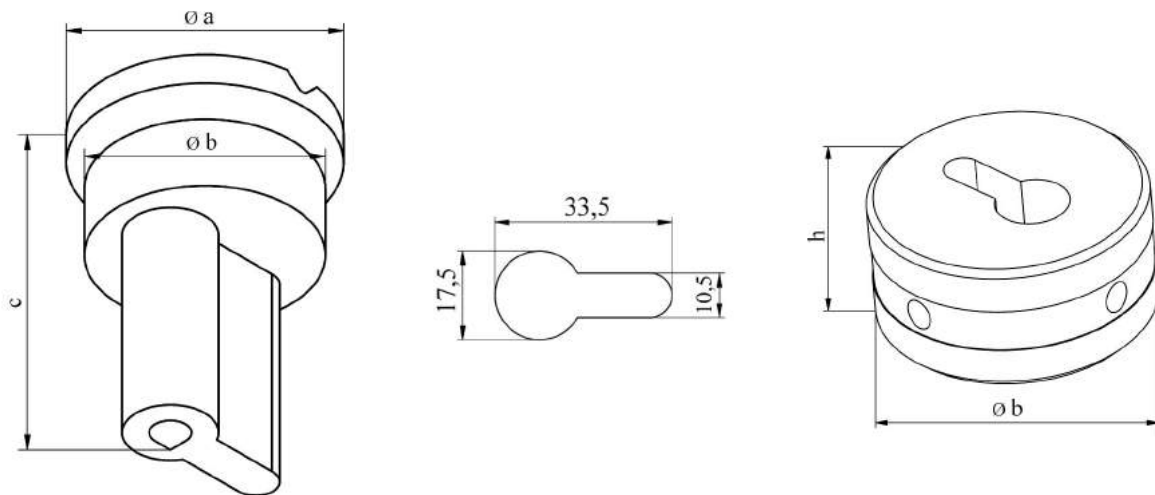


**Schlüsselloch-Stempel  
zum Stanzen von Löchern  
für Profilzylinder**

key hole punch, for punching  
holes for sectional cylinders  
Mubea Nr. 50570-2  
Mubea Nr. 50570-3 \*

**Schlüsselloch-Matrize  
zum Stanzen von Löchern  
für Profilzylinder**

key hole die, for punching  
holes for sectional cylinders  
Mubea Nr. 50684-2  
Mubea Nr. 50684-3 \*



Stempel Nr.	Ø a	Ø b	c	Bestell-Nr.
30	36	30	70	M-SLS30-335105
40 *	46	40	70	M-SLS40-335105

Abmessung: 33,5 x 17,5 x 10,5 mm

Matrize Nr.	h	Ø b	Bestell-Nr.
45	22.5	45	M-SLM45-337107
60 *	30	60	M-SLM60-337107

Abmessung: 33,7 x 17,7 x 10,7 mm

\* Einsetzbar nur mit Sonderstanzvorrichtung

\* To be used only with special punching attachment

Außer bei den Modellen:

Except on models:

KBL OPTIMA 900, KBL 20, KBL OPTIMA 20, KBL OPTIMA 100-50, KBL OPTIMA 1100  
KBL 25, KBL OPTIMA 25, KBL OPTIMA 130-70, KBL OPTIMA 1300, KL OPTIMA 900,  
KL 20, KL OPTIMA 100, KL OPTIMA 1100, KL 25, KL OPTIMA 130, KL OPTIMA 1300,  
KL 100, KL 160, KLS 1100, HIW 1000, KLSH 900, KLSH 1100, KBLH 1000, HP 1000/760

Bei Bestellung bitte angeben:  
Materialstärke + Festigkeit

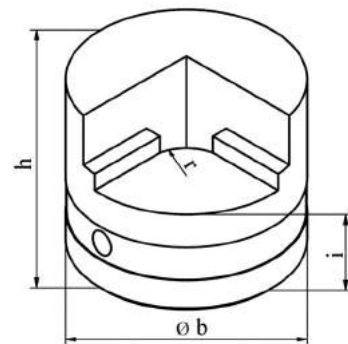
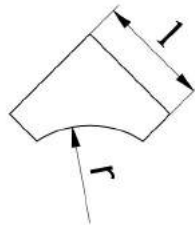
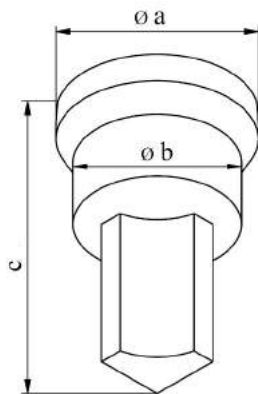
When ordering please state:  
Material thickness + tensile strength

**Eckenabrund-Stempel  
zum Abrunden von Ecken  
(90°) für Flachmaterial**

corner radiusing punch for rounding off  
corners (90°) of flats  
Mubea Nr. 50569-2  
Mubea Nr. 50569-3 \*  
Mubea Nr. 50569-4 \*\*

**Eckenabrund-Matrize  
zum Abrunden von Ecken  
(90°) für Flachmaterial**

corner radiusing die for rounding off  
corners (90°) of flats  
Mubea Nr. 50629-2  
Mubea Nr. 50629-3 \*  
Mubea Nr. 50629-4 \*\*



Stempel Nr.	$\varnothing$ a	$\varnothing$ b	c	r	l	Bestell-Nr.
30	36	30	77	5	19	M-EAS30-000005
30	36	30	77	10	19	M-EAS30-000010
30	36	30	77	15	19	M-EAS30-000015
40 *	46	40	77	22	28	M-EAS40-000022
50 **	56	50	77	30	35	M-EAS50-000030

Matrizen Nr.	h	i	$\varnothing$ b	Bestell-Nr.
45	45	22.5	45	M-EAM45-000005
45	45	22.5	45	M-EAM45-000010
45	45	22.5	45	M-EAM45-000015
60 *	54	30	60	M-EAM60-000022
80 **	65	40	80	M-EAM80-000035

\* Einsetzbar nur mit Sonderstanzvorrichtung  
Außer bei den Modellen:

KBL OPTIMA 900, KBL 20, KBL OPTIMA 20, KBL OPTIMA 100-50, KBL OPTIMA 1100,  
KBL 25, KBL OPTIMA 25, KBL OPTIMA 130-70, KBL OPTIMA 1300, KL OPTIMA 900,  
KL 20, KL OPTIMA 100, KL OPTIMA 1100, KL 25, KL OPTIMA 130, KL OPTIMA 1300,  
KL 100, KL 160, KLS 1100, HIW 1000, KLSH 900, KLSH 1100, KBLH 1000, HP 1000/760

\* To be used only with special punching attachment  
Except on models:

\*\* Einsetzbar nur mit Sondersatzvorrichtung

\*\* To be used only with special punching attachment

Bei Bestellung bitte angeben:

When ordering please state:

Materialstärke + Festigkeit

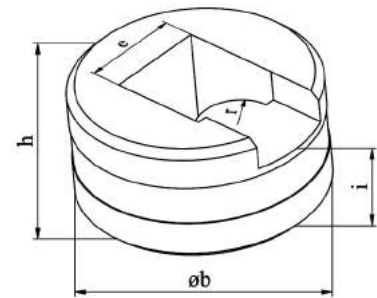
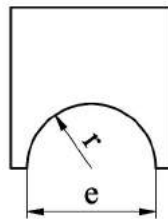
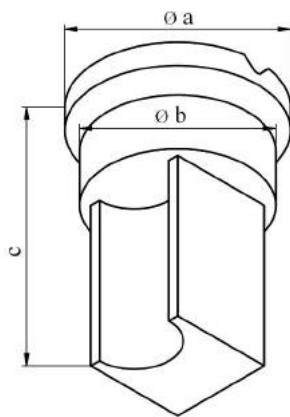
Material thickness + tensile strength

**Trenn-Abrund-Stempel  
von Flachstahl**

shearing and one-sided  
radiansing punch  
Mubea Nr. 50568-2  
Mubea Nr. 50568-3 \*  
Mubea Nr. 50568-4 \*\*

**Trenn-Abrund-Matrize  
von Flachstahl**

shearing and one-sided  
radiansing die  
Mubea Nr. 50628-2  
Mubea Nr. 50628-3 \*  
Mubea Nr. 50628-4 \*\*



Stempel Nr	Ø		c	e	r	Bestell-Nr.
	a	b				
30	36	30	77	16.5	10	M-TAS30-165100
40 *	46	40	77	25.7	15	M-TAS40-257150
50 **	56	50	77	32.5	18	M-TAS50-325180

Matrize Nr.	e	h	i	Ø		Bestell-Nr.
				b		
45	16.5	45	22.5	45		M-TAM45-165225
60 *	25.7	54	30	60		M-TAM60-257300
80 *	32.5	65	40	80		M-TAM80-325400

\* Einsetzbar nur mit Sonderstanzvorrichtung  
Außer bei den Modellen:

KBL OPTIMA 900, KBL 20, KBL OPTIMA 20, KBL OPTIMA 100-50, KBL OPTIMA 1100,  
KBL 25, KBL OPTIMA 25, KBL OPTIMA 130-70, KBL OPTIMA 1300, KL OPTIMA 900,  
KL 20, KL OPTIMA 100, KL OPTIMA 1100, KL 25, KL OPTIMA 130, KL OPTIMA 1300,  
KL 100, KL 160, KLS 1100, HIW 1000, KLSH 900, KLSH 1100, KBLH 1000, HP 1000/760

\*\* Einsetzbar nur mit Sonderstanzvorrichtung

\* To be used only with special punchin attachment  
Except on models:

\*\* To be used only with special punching attachment

Bei Bestellung bitte angeben:

Materialbreite  
Materialstärke  
Materialfestigkeit

When ordering please state:

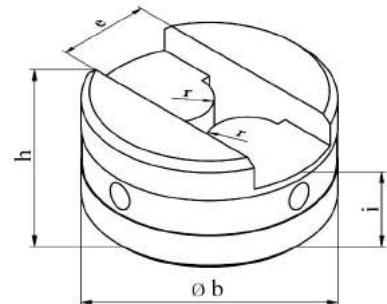
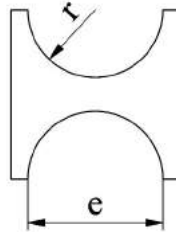
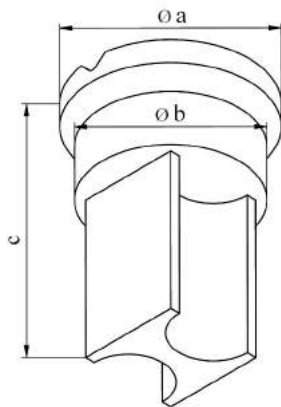
material width  
material thickness  
material tensile strength

### Trenn-Doppel-Abrund-Stempel von Flachstahl

shearing and double-sided  
radiusing punch  
Mubea Nr. 50567-2  
Mubea Nr. 50567-3 \*  
Mubea Nr. 50567-4 \*\*

### Trenn-Doppel-Abrund-Matrize von Flachstahl

shearing and double-sided  
radiusing die  
Mubea Nr. 50627-2  
Mubea Nr. 50627-3 \*  
Mubea Nr. 50627-4 \*\*



Stempel Nr.	Ø a	Ø b	c	e	r	Bestell-Nr.
30	36	30	77	16.5	10	M-TDS30-165100
40 *	46	40	77	25.7	15	M-TDS40-257150
50 **	56	50	77	32.5	18	M-TDS50-325180

Matrize Nr.	e	h	i	Ø b	Bestell-Nr.
45	16.5	45	22.5	45	M-TDM45-165225
60 *	25.7	54	30	60	M-TDM60-257300
80 **	32.5	65	40	80	M-TDM80-325400

\* Einsetzbar nur mit Sonderstanzvorrichtung  
Außer bei den Modellen:

KBL OPTIMA 900, KBL 20, KBL OPTIMA 20, KBL OPTIMA 100-50, KBL OPTIMA 1100,  
KBL 25, KBL OPTIMA 25, KBL OPTIMA 130-70, KBL OPTIMA 1300, KL OPTIMA 900,  
KL 20, KL OPTIMA 100, KL OPTIMA 1100, KL 25, KL OPTIMA 130, KL OPTIMA 1300,  
KL 100, KL 160, KLS 1100, HIW 1000, KLSH 900, KLSH 1100, KBLH 1000, HP 1000/760

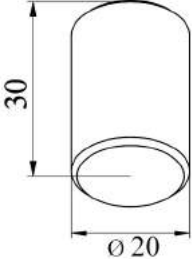
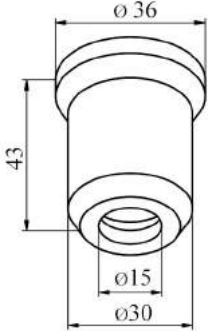
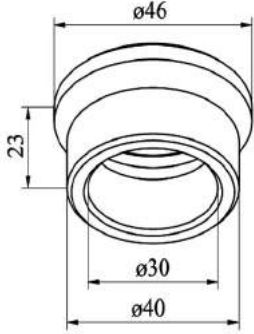
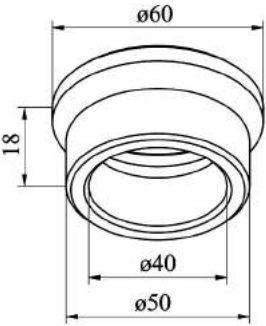
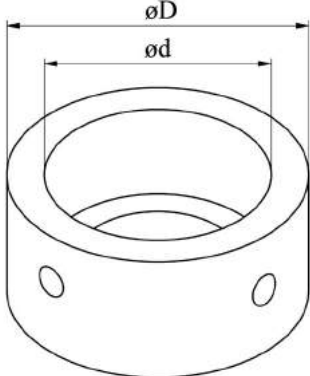
\*\* Einsetzbar nur mit Sonderstanzvorrichtung

Bei Bestellung bitte angeben:  
Materialstärke + Festigkeit

\* To be used only with special punching attachment  
Except on models:

\*\* To be used only with special punching attachment

When ordering please state:  
material thickness + tensile strength

<p><b>Stempelbeilage zu Stempel Nr. 15</b> punch addition</p> <p>Bestell-Nr. M-STB-282030 Mubea Nr. 50529</p> 	<p><b>Reduzierung von Stempel 30 / 15</b> punch reduction</p> <p>Bestell-Nr. M-RDH-3015 Mubea Nr. 50531-3</p> 	<p><b>Reduzierung von Stempel 40 / 30</b> punch reduction</p> <p>Bestell-Nr. M-RDH-4030 Mubea Nr. 50531-5</p> 																												
	<p><b>Reduzierung von Stempel 40 / 15</b> Mubea-Nr. 50531-4</p>	<p><b>Reduzierung von Stempel 50 / 30</b> Mubea-Nr. 50531-1</p>																												
<p><b>Reduzierung von Stempel 50 / 40</b> punch reduction</p> <p>Bestell-Nr. M-RDH-4030 Mubea Nr. 50531-2</p> 	<p><b>Reduzierung von Matrizen</b> reduction for dies</p>  <table border="1" data-bbox="603 1816 1422 2089"> <thead> <tr> <th>D / d</th> <th>Höhe</th> <th>Bestell-Nr.</th> <th></th> </tr> </thead> <tbody> <tr> <td>45 / 30</td> <td>20,5</td> <td>M-RDE-4530</td> <td>Mubea Nr. 50606-1</td> </tr> <tr> <td>60 / 30</td> <td>28,0</td> <td>M-RDE-6030</td> <td>Mubea Nr. 50606-2</td> </tr> <tr> <td>60 / 45</td> <td>28,0</td> <td>M-RDE-6045</td> <td>Mubea Nr. 50606-3</td> </tr> <tr> <td>80 / 30</td> <td>38,0</td> <td>M-RDE-8030</td> <td>Mubea Nr. 50606-4</td> </tr> <tr> <td>80 / 45</td> <td>38,0</td> <td>M-RDE-8045</td> <td>Mubea Nr. 50606-5</td> </tr> <tr> <td>80 / 60</td> <td>38,0</td> <td>M-RDE-8060</td> <td>Mubea Nr. 50606-6</td> </tr> </tbody> </table>		D / d	Höhe	Bestell-Nr.		45 / 30	20,5	M-RDE-4530	Mubea Nr. 50606-1	60 / 30	28,0	M-RDE-6030	Mubea Nr. 50606-2	60 / 45	28,0	M-RDE-6045	Mubea Nr. 50606-3	80 / 30	38,0	M-RDE-8030	Mubea Nr. 50606-4	80 / 45	38,0	M-RDE-8045	Mubea Nr. 50606-5	80 / 60	38,0	M-RDE-8060	Mubea Nr. 50606-6
D / d	Höhe	Bestell-Nr.																												
45 / 30	20,5	M-RDE-4530	Mubea Nr. 50606-1																											
60 / 30	28,0	M-RDE-6030	Mubea Nr. 50606-2																											
60 / 45	28,0	M-RDE-6045	Mubea Nr. 50606-3																											
80 / 30	38,0	M-RDE-8030	Mubea Nr. 50606-4																											
80 / 45	38,0	M-RDE-8045	Mubea Nr. 50606-5																											
80 / 60	38,0	M-RDE-8060	Mubea Nr. 50606-6																											

Die in diesem Katalog genannten Preise sind Grundpreise in EURO, bei Wiederverkauf durch den Handel jedoch unverbindliche Preisempfehlungen. Die Mehrwertsteuer ist in den Preisen nicht enthalten und wird separat ausgewiesen.

Für Zwischenabmessungen und abweichendes Schneidspiel wird ein Aufpreis pro Stempel und pro Matrize berechnet.

Preisstellung: ab Werk; ausschl. Verpackung

Um Ihren Auftrag schnell, genau und mit der nötigen Sorgfalt zu bearbeiten, bitten wir Sie, folgende Punkte zu prüfen bzw. zu beachten:

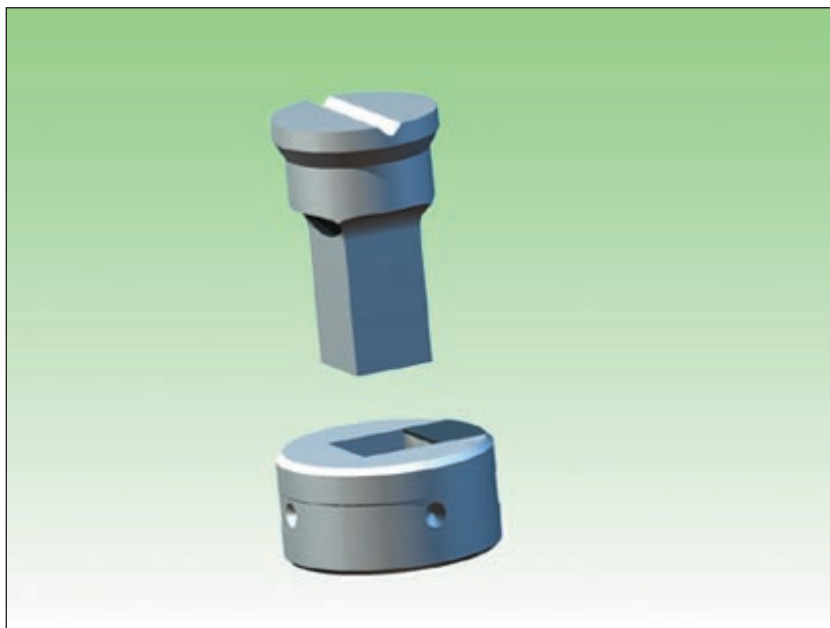
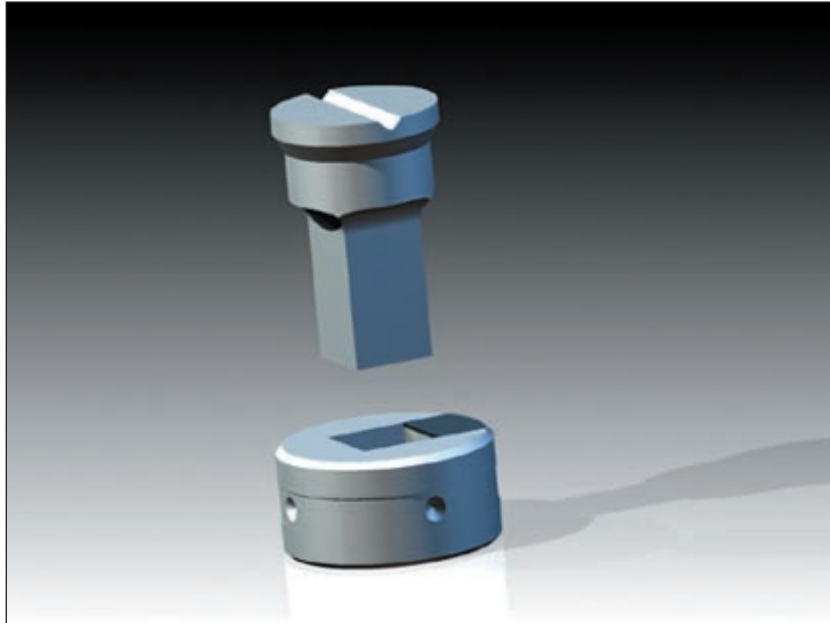
- passen die gewünschten Stempel und Matrizen in die Werkzeugaufnahme der vorhandenen Maschinen. Form und Abmessung der Stempel und Matrizen sind auf den Katalogseiten ersichtlich, eventuell bitte an vorhandenen Werkzeugen prüfen.
- ist das Eckenmaß der zu stanzenden Form nicht größer als der Schaftdurchmesser des Stempels
- sind Reduzierungen von einer größeren Vorrichtung auf die gewünschten kleineren Stempel und Matrizen vorhanden.
- Bei Stempeln und Matrizen, die von der Katalognorm und -form abweichen, geben Sie bitte die zu bearbeitende Materialstärke und -qualität an.

Damit sich die Lebensdauer von Stempeln und Matrizen verlängert und die Stanzqualität verbessert wird, sollten folgende Punkte beachtet werden:

- richtiges Schneidspiel zwischen Stempel und Matrize, d. h. 10 % der Materialstärke (bei Sondermaterial eventuell Rücksprache)
- beim Einbau der Werkzeuge auf gleichmäßiges Spiel zwischen Stempel und Matrize achten.
- beim Stanzen mit Stempelsprühgeräten arbeiten oder den Stempel manuell mit Stanzöl bestreichen.
- bei Formstempeln muss der mitgelieferte Verdrehungsstift eingebaut werden.
- Stempel und Matrize müssen fest und sicher in der Vorrichtung eingebaut sein. (Fingerschutzklappe anbringen)
- der Abstreifer muss parallel zur Matrizenoberfläche sein, bei höhenstellbaren Abstreifern, nahe an Materialoberfläche absenken.
- der Stempeldurchmesser darf nicht kleiner sein, wie die vorhandene Materialstärke.
- zum Schutz von Maschine und Werkzeug sollte die benötigte Stanzkraft nach folgender Formel überprüft werden:

$\text{Lochumfang} \times \text{Materialstärke} \times \text{Materialfestigkeit}$

Wir stehen Ihnen bei Fragen jederzeit gerne zur Verfügung.



**Schülpe**  
**Werkzeug- und Maschinenfabrik GmbH**

Im Gewerbegebiet 13  
D-26817 Rhauderfehn  
Telefon: +49 (0)4952 - 8 95 44 - 0  
Telefax: +49 (0)4952 - 8 95 44 - 19  
[info@schuelpke.de](mailto:info@schuelpke.de)  
[www.schuelpke.de](http://www.schuelpke.de)