

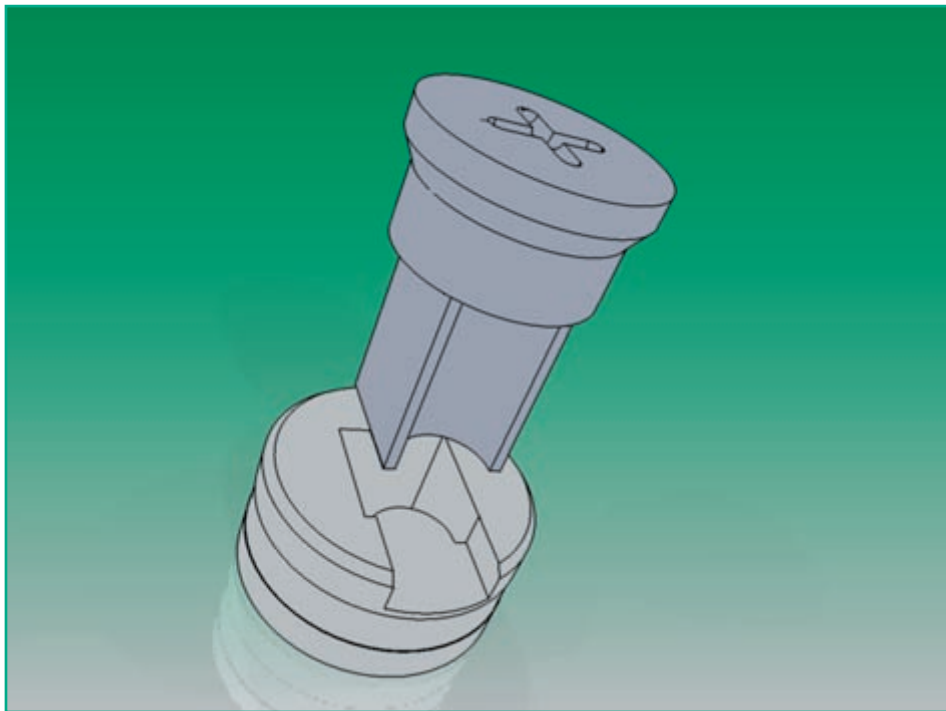
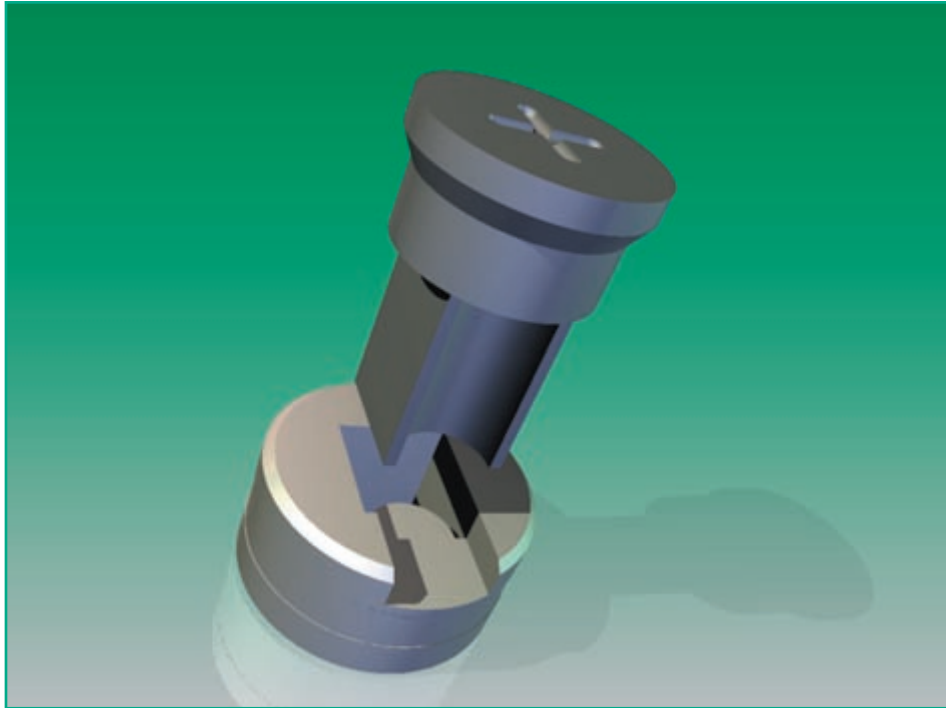


Schülcke

Stempel und Matrizen

passend für das Fabrikat **GEKA**





Verwendungsübersicht

Schülpe Stempel und Matrizen passend für Lochstanzen Fabrikat GEKA

Modell		Stempel		Matrizen
Multi	● ■ ● ■	1 2	● ■ ● ● ■	1 1 A 2
MICROCROP MINICROP-MULTICROP HYD-50-70 P.P.50, PUMA IW-45-45M	● ● ■ ● ■	5-15 5-27 6	● ■ ● ■	5 6
BENDICROP	● ■	8-31	● ■	5
HYD-55-80 PUMA-55-80 IW-55-80	● ■ ● ● ■ ● ■	6 8-19 8-31 8-40	● ■ ● ■	5 8
HYD-100 PUMA-100	● ● ■	8-19 8-31	● ■ ● ■	5 8
HYD-110 PUMA-110 IW-110	● ● ■ ● ■	8-19 8-31 8-40	● ■	10
HYD-150-200 PUMA-150-200	● ■ ● ■	10-26 10-40	● ■	10
MINICROP-MULTICROP HYD-50-70-100 PUMA-50-70-100 HYD-55-80-110 PUMA-55-80-110	● ■ ● ■ ● ■ ● ■ ● ■	11 12 13	● ■ ● ■ ● ■ ● ■	11 12 13
HYD-150-200 PUMA-150-200 PUMA-165-220	● ■ ● ■ ● ■	11 A 12 A 13 A	● ■ ● ■ ● ■	11 12 13



Schneidspiel zwischen Stempel und Matrize

Die Größe des zu stanzenen Loches wird durch das Ist-Maß des Stempels bestimmt
Das Schneidspiel zwischen Stempel und Matrize sollte bei ca. 10 % der zu stanzenen Materialdicke liegen.

Das Ist-Maß der Matrizenöffnung ergibt sich aus dem Ist-Maß des Stempels plus dem erforderlichen Schneidspiel.

$$(\text{Schneidspiel} = 2 \times \text{Schneidspalt}).$$

Bei Bestellung ohne Angabe von Schneidspiel oder Materialstärke erfolgt die Lieferung mit 0,7 mm Schneidspiel.

Bei Angabe von Materialstärke wird folgendes Schneidspiel geliefert:

Stempelmaß	bis 5 mm	von 5 bis 22 mm	von 22 bis 39,5 mm	über 39,5 mm
Schneidspiel	0,2 mm	0,7 mm	1,2 mm	0,2 mm
Materialdicke	bis 4 mm	von 4 bis 9 mm	von 9 bis 14 mm	bis 4 mm

Die Matrizen-Signierung entspricht dem Ist-Maß der Schneidöffnung. Dadurch können Sie Matrizen mit dem jeweils exakten Schneidspiel auswählen und bestellen.

Beispiel:

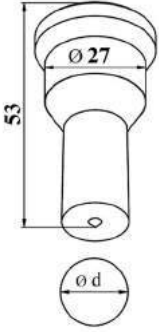
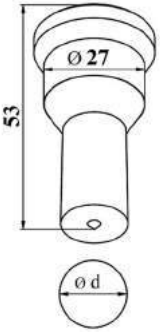
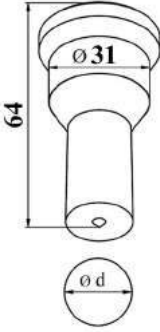
Der zu stanzen Lochdurchmesser soll 25 mm betragen:

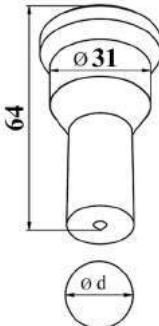
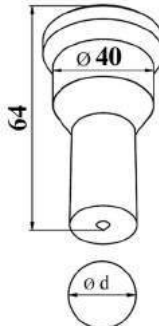
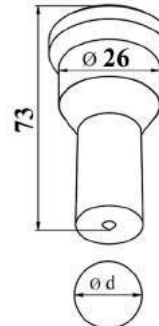
Materialdicke	bis 4 mm	von 4 bis 9 mm	von 9 bis 14 mm	von 14 bis 19 mm	von 19 bis 24 mm
Schneidspiel	0,2 mm	0,7 mm	1,2 mm	1,7 mm	2,2 mm
Matrizenöffnung	25,2 mm	25,7 mm	26,2 mm	26,7 mm	27,2 mm

Langlochmatrizen sind wahlweise mit 0,2 oder 0,7 mm Schneidspiel lieferbar.

Auf Wunsch können Matrizen mit anderem Schneidspiel gefertigt werden.
(Mehrpreis auf Anfrage)

Die im Katalog aufgeführten Abmessungen sind in Millimeter angegeben.

Rundstempel	Nr. 5-27	Rundstempel	Nr. 5-27	Rundstempel	Nr. 8-31
round punch		round punch		round punch	
					
d=	Best.-Nr.	d=	Best.-Nr.	d=	Best.-Nr.
3.0 3.5 4.0 4.5 5.0 5.5 6.0 6.5 7.0 7.5 8.0 8.5 9.0 9.5 10.0 10.5 11.0 11.5 12.0 12.5 13.0 13.5 14.0 14.5 15.0 15.5 16.0 16.5 17.0 17.5 18.0 18.5 19.0 19.5 20.0 20.5	G-RST527-0030 G-RST527-0035 G-RST527-0040 G-RST527-0045 G-RST527-0050 G-RST527-0055 G-RST527-0060 G-RST527-0065 G-RST527-0070 G-RST527-0075 G-RST527-0080 G-RST527-0085 G-RST527-0090 G-RST527-0095 G-RST527-0100 G-RST527-0105 G-RST527-0110 G-RST527-0115 G-RST527-0120 G-RST527-0125 G-RST527-0130 G-RST527-0135 G-RST527-0140 G-RST527-0145 G-RST527-0150 G-RST527-0155 G-RST527-0160 G-RST527-0165 G-RST527-0170 G-RST527-0175 G-RST527-0180 G-RST527-0185 G-RST527-0190 G-RST527-0195 G-RST527-0200 G-RST527-0205	21.0 21.5 22.0 22.5 23.0 23.5 24.0 24.5 25.0 25.5 26.0 26.5 27.0	G-RST527-0210 G-RST527-0215 G-RST527-0220 G-RST527-0225 G-RST527-0230 G-RST527-0235 G-RST527-0240 G-RST527-0245 G-RST527-0250 G-RST527-0255 G-RST527-0260 G-RST527-0265 G-RST527-0270	3.0 3.5 4.0 4.5 5.0 5.5 6.0 6.5 7.0 7.5 8.0 8.5 9.0 9.5 10.0 10.5 11.0 11.5 12.0 12.5 13.0 13.5 14.0 14.5 15.0 15.5 16.0 16.5 17.0 17.5 18.0 18.5 19.0 19.5 20.0 20.5	G-RST831-0030 G-RST831-0035 G-RST831-0040 G-RST831-0045 G-RST831-0050 G-RST831-0055 G-RST831-0060 G-RST831-0065 G-RST831-0070 G-RST831-0075 G-RST831-0080 G-RST831-0085 G-RST831-0090 G-RST831-0095 G-RST831-0100 G-RST831-0105 G-RST831-0110 G-RST831-0115 G-RST831-0120 G-RST831-0125 G-RST831-0130 G-RST831-0135 G-RST831-0140 G-RST831-0145 G-RST831-0150 G-RST831-0155 G-RST831-0160 G-RST831-0165 G-RST831-0170 G-RST831-0175 G-RST831-0180 G-RST831-0185 G-RST831-0190 G-RST831-0195 G-RST831-0200 G-RST831-0205

Rundstempel Nr. 8-31		Rundstempel Nr. 8-40		Rundstempel Nr. 10-26	
round punch		round punch		round punch	
					
d=	Best.-Nr.	d=	Best.-Nr.	d=	Best.-Nr.
21.0	G-RST831-0210	28.5	G-RST840-0285	3.0	G-RST1026-0030
21.5	G-RST831-0215	29.0	G-RST840-0290	3.5	G-RST1026-0035
22.0	G-RST831-0220	29.5	G-RST840-0295	4.0	G-RST1026-0040
22.5	G-RST831-0225	30.0	G-RST840-0300	4.5	G-RST1026-0045
23.0	G-RST831-0230	30.5	G-RST840-0305	5.0	G-RST1026-0050
23.5	G-RST831-0235	31.0	G-RST840-0310	5.5	G-RST1026-0055
24.0	G-RST831-0240	31.5	G-RST840-0315	6.0	G-RST1026-0060
24.5	G-RST831-0245	32.0	G-RST840-0320	6.5	G-RST1026-0065
25.0	G-RST831-0250	32.5	G-RST840-0325	7.0	G-RST1026-0070
25.5	G-RST831-0255	33.0	G-RST840-0330	7.5	G-RST1026-0075
26.0	G-RST831-0260	33.5	G-RST840-0335	8.0	G-RST1026-0080
26.5	G-RST831-0265	34.0	G-RST840-0340	8.5	G-RST1026-0085
27.0	G-RST831-0270	34.5	G-RST840-0345	9.0	G-RST1026-0090
27.5	G-RST831-0275	35.0	G-RST840-0350	9.5	G-RST1026-0095
28.0	G-RST831-0280	35.5	G-RST840-0355	10.0	G-RST1026-0100
28.5	G-RST831-0285	36.0	G-RST840-0360	10.5	G-RST1026-0105
29.0	G-RST831-0290	36.5	G-RST840-0365	11.0	G-RST1026-0110
29.5	G-RST831-0295	37.0	G-RST840-0370	11.5	G-RST1026-0115
30.0	G-RST831-0300	37.5	G-RST840-0375	12.0	G-RST1026-0120
30.5	G-RST831-0305	38.0	G-RST840-0380	12.5	G-RST1026-0125
31.0	G-RST831-0310	38.5	G-RST840-0385	13.0	G-RST1026-0130
		39.0	G-RST840-0390	13.5	G-RST1026-0135
		39.5	G-RST840-0395	14.0	G-RST1026-0140
		40.0	G-RST840-0400	14.5	G-RST1026-0145
				15.0	G-RST1026-0150
				15.5	G-RST1026-0155
				16.0	G-RST1026-0160
				16.5	G-RST1026-0165
				17.0	G-RST1026-0170
				17.5	G-RST1026-0175
				18.0	G-RST1026-0180
				18.5	G-RST1026-0185
				19.0	G-RST1026-0190
				19.5	G-RST1026-0195
				20.0	G-RST1026-0200

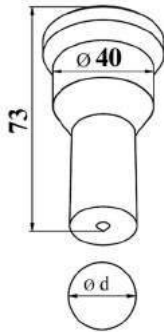
Telefon: +49 (0) 4952 895 44 0

E-Mail: info@schuelpke.de



Rundstempel Nr. 10-40

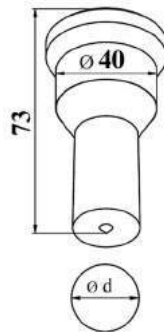
round punch



d=	Best.-Nr.
20.5	G-RST1040-0205
21.0	G-RST1040-0210
21.5	G-RST1040-0215
22.0	G-RST1040-0220
22.5	G-RST1040-0225
23.0	G-RST1040-0230
23.5	G-RST1040-0235
24.0	G-RST1040-0240
24.5	G-RST1040-0245
25.0	G-RST1040-0250
25.5	G-RST1040-0255
26.0	G-RST1040-0260
26.5	G-RST1040-0265
27.0	G-RST1040-0270
27.5	G-RST1040-0275
28.0	G-RST1040-0280
28.5	G-RST1040-0285
29.0	G-RST1040-0290
29.5	G-RST1040-0295
30.0	G-RST1040-0300
30.5	G-RST1040-0305
31.0	G-RST1040-0310
31.5	G-RST1040-0315
32.0	G-RST1040-0320
32.5	G-RST1040-0325
33.0	G-RST1040-0330
33.5	G-RST1040-0335
34.0	G-RST1040-0340
34.5	G-RST1040-0345
35.0	G-RST1040-0350
35.5	G-RST1040-0355
36.0	G-RST1040-0360
36.5	G-RST1040-0365
37.0	G-RST1040-0370
37.5	G-RST1040-0375

Rundstempel Nr. 10-40

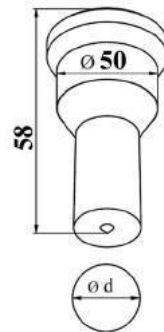
round punch



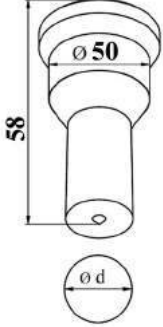
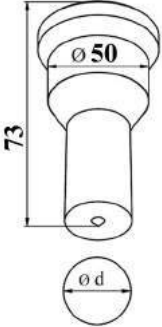
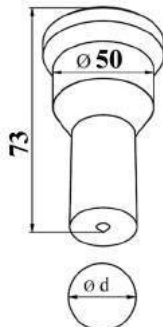
d=	Best.-Nr.
38.0	G-RST1040-0380
38.5	G-RST1040-0385
39.0	G-RST1040-0390
39.5	G-RST1040-0395
40.0	G-RST1040-0400

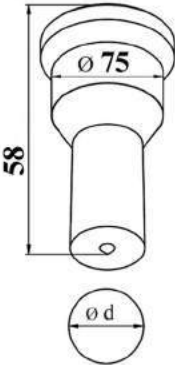
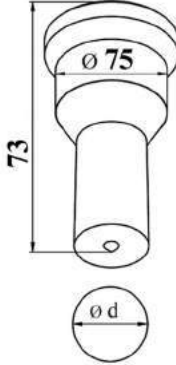
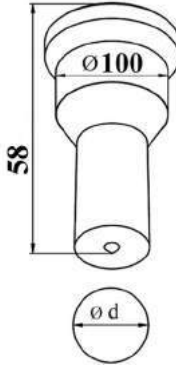
Rundstempel Nr. 11

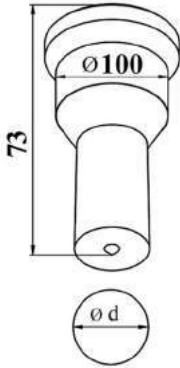
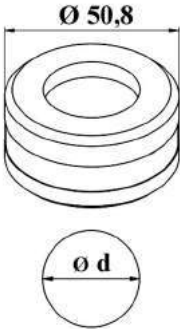
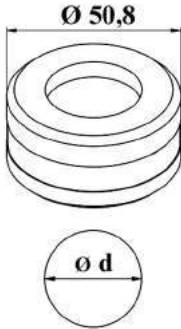
round punch

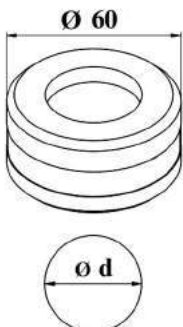
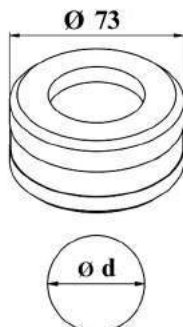
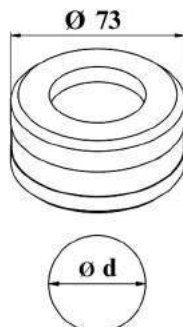


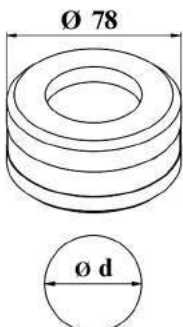
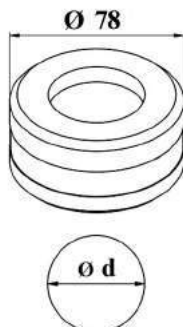
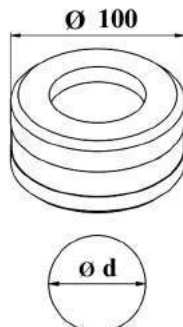
d=	Best.-Nr.
27.5	G-RST11-0275
28.0	G-RST11-0280
28.5	G-RST11-0285
29.0	G-RST11-0290
29.5	G-RST11-0295
30.0	G-RST11-0300
30.5	G-RST11-0305
31.0	G-RST11-0310
31.5	G-RST11-0315
32.0	G-RST11-0320
32.5	G-RST11-0325
33.0	G-RST11-0330
33.5	G-RST11-0335
34.0	G-RST11-0340
34.5	G-RST11-0345
35.0	G-RST11-0350
35.5	G-RST11-0355
36.0	G-RST11-0360
36.5	G-RST11-0365
37.0	G-RST11-0370
37.5	G-RST11-0375
38.0	G-RST11-0380
38.5	G-RST11-0385
39.0	G-RST11-0390
39.5	G-RST11-0395
40.0	G-RST11-0400
40.5	G-RST11-0405
41.0	G-RST11-0410
41.5	G-RST11-0415
42.0	G-RST11-0420
42.5	G-RST11-0425
43.0	G-RST11-0430
43.5	G-RST11-0435
44.0	G-RST11-0440
44.5	G-RST11-0445
45.0	G-RST11-0450

Rundstempel	Nr. 11	Rundstempel	Nr. 11 A	Rundstempel	Nr. 11 A
round punch		round punch		round punch	
					
d=	Best-Nr.	d=	Best-Nr.	d=	Best-Nr.
45.5 46.0 46.5 47.0 47.5 48.0 48.5 49.0 49.5 50.0	G-RST11-0455 G-RST11-0460 G-RST11-0465 G-RST11-0470 G-RST11-0475 G-RST11-0480 G-RST11-0485 G-RST11-0490 G-RST11-0495 G-RST11-0500	27.5 28.0 28.5 29.0 29.5 30.0 30.5 31.0 31.5 32.0 32.5 33.0 33.5 34.0 34.5 35.0 35.5 36.0 36.5 37.0 37.5 38.0 38.5 39.0 39.5 40.0 40.5 41.0 41.5 42.0 42.5 43.0 43.5 44.0 44.5 45.0 45.5	G-RST11A-0275 G-RST11A-0280 G-RST11A-0285 G-RST11A-0290 G-RST11A-0295 G-RST11A-0300 G-RST11A-0305 G-RST11A-0310 G-RST11A-0315 G-RST11A-0320 G-RST11A-0335 G-RST11A-0330 G-RST11A-0335 G-RST11A-0340 G-RST11A-0345 G-RST11A-0350 G-RST11A-0355 G-RST11A-0360 G-RST11A-0365 G-RST11A-0370 G-RST11A-0375 G-RST11A-0380 G-RST11A-0385 G-RST11A-0390 G-RST11A-0395 G-RST11A-0400 G-RST11A-0405 G-RST11A-0410 G-RST11A-0415 G-RST11A-0420 G-RST11A-0425 G-RST11A-0430 G-RST11A-0435 G-RST11A-0440 G-RST11A-0445 G-RST11A-0450 G-RST11A-0455	46.0 46.5 47.0 47.5 48.0 48.5 49.0 49.5 50.0	G-RST11A-0460 G-RST11A-0465 G-RST11A-0470 G-RST11A-0475 G-RST11A-0480 G-RST11A-0485 G-RST11A-0490 G-RST11A-0495 G-RST11A-0500

Rundstempel Nr. 12		Rundstempel Nr. 12 A		Rundstempel Nr. 13	
round punch		round punch		round punch	
					
d=	Best-Nr.	d=	Best-Nr.	d=	Best-Nr.
52.0	G-RST12-0520	52.0	G-RST12A-0520	76.0	G-RST13-0760
54.0	G-RST12-0540	54.0	G-RST12A-0540	78.0	G-RST13-0780
56.0	G-RST12-0560	56.0	G-RST12A-0560	80.0	G-RST13-0800
58.0	G-RST12-0580	58.0	G-RST12A-0580	82.0	G-RST13-0820
60.0	G-RST12-0600	60.0	G-RST12A-0600	84.0	G-RST13-0840
62.0	G-RST12-0620	62.0	G-RST12A-0620	86.0	G-RST13-0860
64.0	G-RST12-0640	64.0	G-RST12A-0640	88.0	G-RST13-0880
66.0	G-RST12-0660	66.0	G-RST12A-0660	90.0	G-RST13-0900
68.0	G-RST12-0680	68.0	G-RST12A-0680	92.0	G-RST13-0920
70.0	G-RST12-0700	70.0	G-RST12A-0700	94.0	G-RST13-0940
72.0	G-RST12-0720	72.0	G-RST12A-0720	96.0	G-RST13-0960
74.0	G-RST12-0740	74.0	G-RST12A-0740	98.0	G-RST13-0980
				100.0	G-RST13-1000

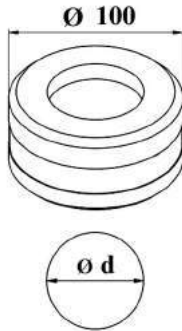
Rundstempel round punch		Rundmatrize round die		Rundmatrize round die	
Nr. 13 A		Nr. 5		Nr. 5	
					
d=	Best-Nr.	d=	Best-Nr.	d=	Best-Nr.
76.0	G-RST13A-0760	3.2	G-RMA5-0032	21.2	G-RMA5-0212
78.0	G-RST13A-0780	3.7	G-RMA5-0037	21.7	G-RMA5-0217
80.0	G-RST13A-0800	4.2	G-RMA5-0042	22.2	G-RMA5-0222
82.0	G-RST13A-0820	4.7	G-RMA5-0047	22.7	G-RMA5-0227
84.0	G-RST13A-0840	5.2	G-RMA5-0052	23.2	G-RMA5-0232
86.0	G-RST13A-0860	5.7	G-RMA5-0057	23.7	G-RMA5-0237
88.0	G-RST13A-0880	6.2	G-RMA5-0062	24.2	G-RMA5-0242
90.0	G-RST13A-0900	6.7	G-RMA5-0067	24.7	G-RMA5-0247
92.0	G-RST13A-0920	7.2	G-RMA5-0072	25.2	G-RMA5-0252
94.0	G-RST13A-0940	7.7	G-RMA5-0077	25.7	G-RMA5-0257
96.0	G-RST13A-0960	8.2	G-RMA5-0082	26.2	G-RMA5-0262
98.0	G-RST13A-0980	8.7	G-RMA5-0087	26.7	G-RMA5-0267
100.0	G-RST13A-1000	9.2	G-RMA5-0092	27.2	G-RMA5-0272
		9.7	G-RMA5-0097	27.7	G-RMA5-0277
		10.2	G-RMA5-0102	28.2	G-RMA5-0282
		10.7	G-RMA5-0107	28.7	G-RMA5-0287
		11.2	G-RMA5-0112	29.2	G-RMA5-0292
		11.7	G-RMA5-0117	29.7	G-RMA5-0297
		12.2	G-RMA5-0122	30.2	G-RMA5-0302
		12.7	G-RMA5-0127	30.7	G-RMA5-0307
		13.2	G-RMA5-0132	31.2	G-RMA5-0312
		13.7	G-RMA5-0137	31.7	G-RMA5-0317
		14.2	G-RMA5-0142	32.2	G-RMA5-0322
		14.7	G-RMA5-0147	32.7	G-RMA5-0327
		15.2	G-RMA5-0152		
		15.7	G-RMA5-0157		
		16.2	G-RMA5-0162		
		16.7	G-RMA5-0167		
		17.2	G-RMA5-0172		
		17.7	G-RMA5-0177		
		18.2	G-RMA5-0182		
		18.7	G-RMA5-0187		
		19.2	G-RMA5-0192		
		19.7	G-RMA5-0197		
		20.2	G-RMA5-0202		
		20.7	G-RMA5-0207		

Rundmatrize Nr. 8		Rundmatrize Nr. 10		Rundmatrize Nr. 10	
round die		round die		round die	
					
d=	Best-Nr.	d=	Best-Nr.	d=	Best-Nr.
28.7	G-RMA8-0287	21.2	G-RMA10-0212	39.2	G-RMA10-0392
29.2	G-RMA8-0292	21.7	G-RMA10-0217	39.7	G-RMA10-0397
29.7	G-RMA8-0297	22.2	G-RMA10-0222	40.2	G-RMA10-0402
30.2	G-RMA8-0302	22.7	G-RMA10-0227	40.7	G-RMA10-0407
30.7	G-RMA8-0307	23.2	G-RMA10-0232	41.2	G-RMA10-0412
31.2	G-RMA8-0312	23.7	G-RMA10-0237		
31.7	G-RMA8-0317	24.2	G-RMA10-0242		
32.2	G-RMA8-0322	24.7	G-RMA10-0247		
32.7	G-RMA8-0327	25.2	G-RMA10-0252		
33.2	G-RMA8-0332	25.7	G-RMA10-0257		
33.7	G-RMA8-0337	26.2	G-RMA10-0262		
34.2	G-RMA8-0342	26.7	G-RMA10-0267		
34.7	G-RMA8-0347	27.2	G-RMA10-0272		
35.2	G-RMA8-0352	27.7	G-RMA10-0277		
35.7	G-RMA8-0357	28.2	G-RMA10-0282		
36.2	G-RMA8-0362	28.7	G-RMA10-0287		
36.7	G-RMA8-0367	29.2	G-RMA10-0292		
37.2	G-RMA8-0372	29.7	G-RMA10-0297		
37.7	G-RMA8-0377	30.2	G-RMA10-0302		
38.2	G-RMA8-0382	30.7	G-RMA10-0307		
38.7	G-RMA8-0387	31.2	G-RMA10-0312		
39.2	G-RMA8-0392	31.7	G-RMA10-0317		
39.7	G-RMA8-0397	32.2	G-RMA10-0322		
40.2	G-RMA8-0402	32.7	G-RMA10-0327		
40.7	G-RMA8-0407	33.2	G-RMA10-0332		
		33.7	G-RMA10-0337		
		34.2	G-RMA10-0342		
		34.7	G-RMA10-0347		
		35.2	G-RMA10-0352		
		35.7	G-RMA10-0357		
		36.2	G-RMA10-0362		
		36.7	G-RMA10-0367		
		37.2	G-RMA10-0372		
		37.7	G-RMA10-0377		
		38.2	G-RMA10-0382		
		38.7	G-RMA10-0387		

Rundmatrize Nr. 11		Rundmatrize Nr. 11		Rundmatrize Nr. 12	
round die		round die		round die	
					
d=	Best-Nr.	d=	Best-Nr.	d=	Best-Nr.
28.2	G-RMA11-0282	46.2	G-RMA11-0462	52.2	G-RMA12-0522
28.7	G-RMA11-0287	46.7	G-RMA11-0467	52.7	G-RMA12-0527
29.2	G-RMA11-0292	47.2	G-RMA11-0472	53.2	G-RMA12-0532
29.7	G-RMA11-0297	47.7	G-RMA11-0477	53.7	G-RMA12-0537
30.2	G-RMA11-0302	48.2	G-RMA11-0482	54.2	G-RMA12-0542
30.7	G-RMA11-0307	48.7	G-RMA11-0487	54.7	G-RMA12-0547
31.2	G-RMA11-0312	49.2	G-RMA11-0492	55.2	G-RMA12-0552
31.7	G-RMA11-0317	49.7	G-RMA11-0497	55.7	G-RMA12-0557
32.2	G-RMA11-0322	50.2	G-RMA11-0502	56.2	G-RMA12-0562
32.7	G-RMA11-0327	50.7	G-RMA11-0507	56.7	G-RMA12-0567
33.2	G-RMA11-0332			57.2	G-RMA12-0572
33.7	G-RMA11-0337			57.7	G-RMA12-0577
34.2	G-RMA11-0342			58.2	G-RMA12-0582
34.7	G-RMA11-0347			58.7	G-RMA12-0587
35.2	G-RMA11-0352			59.2	G-RMA12-0592
35.7	G-RMA11-0357			59.7	G-RMA12-0597
36.2	G-RMA11-0362			60.2	G-RMA12-0602
36.7	G-RMA11-0367			60.7	G-RMA12-0607
37.2	G-RMA11-0372			61.2	G-RMA12-0612
37.7	G-RMA11-0377			61.7	G-RMA12-0617
38.2	G-RMA11-0382			62.2	G-RMA12-0622
38.7	G-RMA11-0387			62.7	G-RMA12-0627
39.2	G-RMA11-0392			63.2	G-RMA12-0632
39.7	G-RMA11-0397			63.7	G-RMA12-0637
40.2	G-RMA11-0402			64.2	G-RMA12-0642
40.7	G-RMA11-0407			64.7	G-RMA12-0647
41.2	G-RMA11-0412			65.2	G-RMA12-0652
41.7	G-RMA11-0417			65.7	G-RMA12-0657
42.2	G-RMA11-0422			66.2	G-RMA12-0662
42.7	G-RMA11-0427			66.7	G-RMA12-0667
43.2	G-RMA11-0432			67.2	G-RMA12-0672
43.7	G-RMA11-0437			67.7	G-RMA12-0677
44.2	G-RMA11-0442			68.2	G-RMA12-0682
44.7	G-RMA11-0447			68.7	G-RMA12-0687
45.2	G-RMA11-0452			69.2	G-RMA12-0692
45.7	G-RMA11-0457			69.7	G-RMA12-0697

Rundmatrize Nr. 12

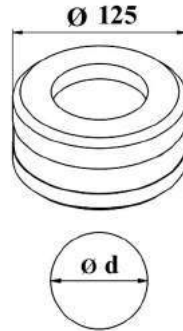
round die



d=	Best-Nr.
70.2	G-RMA12-0702
70.7	G-RMA12-0707
71.2	G-RMA12-0712
71.7	G-RMA12-0717
72.2	G-RMA12-0722
72.7	G-RMA12-0727
73.2	G-RMA12-0732
73.7	G-RMA12-0737
74.2	G-RMA12-0742
74.7	G-RMA12-0747

Rundmatrize Nr. 13

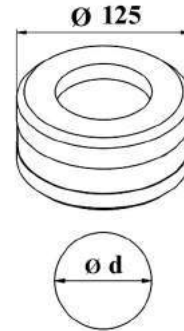
round die



d=	Best-Nr.
76.2	G-RMA13-0762
76.7	G-RMA13-0767
77.2	G-RMA13-0772
77.7	G-RMA13-0777
78.2	G-RMA13-0782
78.7	G-RMA13-0787
79.2	G-RMA13-0792
79.7	G-RMA13-0797
80.2	G-RMA13-0802
80.7	G-RMA13-0807
81.2	G-RMA13-0812
81.7	G-RMA13-0817
82.2	G-RMA13-0822
82.7	G-RMA13-0827
83.2	G-RMA13-0832
83.7	G-RMA13-0837
84.2	G-RMA13-0842
84.7	G-RMA13-0847
85.2	G-RMA13-0852
85.7	G-RMA13-0857
86.2	G-RMA13-0862
86.7	G-RMA13-0867
87.2	G-RMA13-0872
87.7	G-RMA13-0877
88.2	G-RMA13-0882
88.7	G-RMA13-0887
89.2	G-RMA13-0892
89.7	G-RMA13-0897
90.2	G-RMA13-0902
90.7	G-RMA13-0907
91.2	G-RMA13-0912
91.7	G-RMA13-0917
92.2	G-RMA13-0922
92.7	G-RMA13-0927
93.2	G-RMA13-0932
93.7	G-RMA13-0937

Rundmatrize Nr. 13

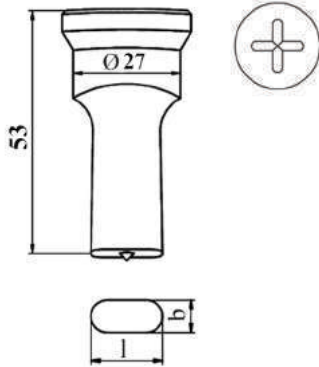
round die



d=	Best-Nr.
94.2	G-RMA13-0942
94.7	G-RMA13-0947
95.2	G-RMA13-0952
95.7	G-RMA13-0957
96.2	G-RMA13-0962
96.7	G-RMA13-0967
97.2	G-RMA13-0972
97.7	G-RMA13-0977
98.2	G-RMA13-0982
98.7	G-RMA13-0987
99.2	G-RMA13-0992
99.7	G-RMA13-0997
100.2	G-RMA13-1002
100.7	G-RMA13-1007

Langloch-Stempel
oblong punch

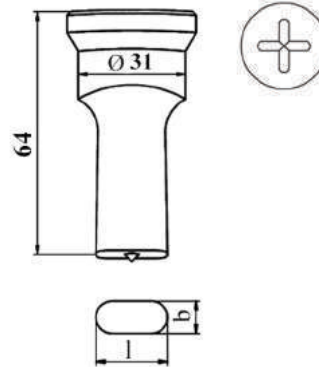
Nr. 5-27



b x l	Best-Nr.
5,0 x 10,0	G-LST527-050100
5,0 x 14,0	G-LST527-050140
5,5 x 10,0	G-LST527-055100
5,5 x 14,0	G-LST527-055140
5,5 x 19,0	G-LST527-055190
5,5 x 25,0	G-LST527-055250
6,5 x 12,0	G-LST527-065120
6,5 x 18,0	G-LST527-065180
6,5 x 26,0	G-LST527-065260
7,5 x 14,0	G-LST527-075140
7,5 x 21,0	G-LST527-075210
7,5 x 26,0	G-LST527-075260
9,0 x 14,0	G-LST527-090140
9,0 x 18,0	G-LST527-090180
9,0 x 26,0	G-LST527-090260
10,0 x 14,0	G-LST527-100140
10,0 x 20,0	G-LST527-100200
10,0 x 26,0	G-LST527-100260
11,0 x 22,0	G-LST527-110220
11,0 x 26,0	G-LST527-110260
12,0 x 24,0	G-LST527-120240
13,0 x 26,0	G-LST527-130260
14,0 x 26,0	G-LST527-140260
16,0 x 26,0	G-LST527-160260
17,0 x 26,0	G-LST527-170260
18,0 x 26,0	G-LST527-180260
19,0 x 26,0	G-LST527-190260
21,0 x 27,0	G-LST527-210270

Langloch-Stempel
oblong punch

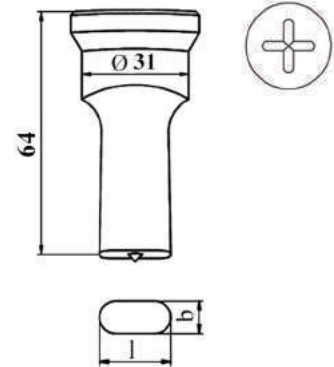
Nr. 8-31



b x l	Best-Nr.
5,0 x 10,0	G-LST831-050100
5,0 x 14,0	G-LST831-050140
5,5 x 10,0	G-LST831-055100
5,5 x 14,0	G-LST831-055140
5,5 x 19,0	G-LST831-055190
5,5 x 25,0	G-LST831-055250
6,5 x 12,0	G-LST831-065120
6,5 x 18,0	G-LST831-065180
6,5 x 26,0	G-LST831-065260
6,5 x 30,0	G-LST831-065300
7,5 x 14,0	G-LST831-075140
7,5 x 21,0	G-LST831-075210
7,5 x 26,0	G-LST831-075260
7,5 x 30,0	G-LST831-075300
8,0 x 16,0	G-LST831-080160
9,0 x 14,0	G-LST831-090140
9,0 x 18,0	G-LST831-090180
9,0 x 26,0	G-LST831-090260
9,0 x 30,0	G-LST831-090300
10,0 x 14,0	G-LST831-100140
10,0 x 20,0	G-LST831-100200
10,0 x 26,0	G-LST831-100260
10,0 x 30,0	G-LST831-100300
11,0 x 22,0	G-LST831-110220
11,0 x 26,0	G-LST831-110260
11,0 x 30,0	G-LST831-110300
12,0 x 24,0	G-LST831-120240
12,0 x 30,0	G-LST831-120300
13,0 x 26,0	G-LST831-130260
13,0 x 30,0	G-LST831-130300
14,0 x 26,0	G-LST831-140260
14,0 x 31,0	G-LST831-140310
15,0 x 31,0	G-LST831-150310
16,0 x 26,0	G-LST831-160260
16,0 x 31,0	G-LST831-160310

Langloch-Stempel
oblong punch

Nr. 8-31



b x l	Best-Nr.
17,0 x 26,0	G-LST831-170260
18,0 x 26,0	G-LST831-180260
18,0 x 31,0	G-LST831-180310
19,0 x 26,0	G-LST831-190260
20,0 x 26,0	G-LST831-200260
20,0 x 31,0	G-LST831-200310
22,0 x 31,0	G-LST831-220310

Zusätzliche Abmessungen:

7,0 x 10,0	G-LST831-070100
7,0 x 15,0	G-LST831-070150
7,0 x 20,0	G-LST831-070200
9,0 x 13,0	G-LST831-090130
9,0 x 19,0	G-LST831-090190
9,0 x 25,0	G-LST831-090250
11,0 x 17,0	G-LST831-110170
11,0 x 23,0	G-LST831-110230
13,0 x 18,0	G-LST831-130180
13,0 x 22,0	G-LST831-130220
13,0 x 27,0	G-LST831-130270
13,0 x 31,0	G-LST831-130310
15,0 x 20,0	G-LST831-150200
15,0 x 24,0	G-LST831-150240
15,0 x 27,0	G-LST831-150270
17,0 x 22,0	G-LST831-170220
19,0 x 31,0	G-LST831-190310
21,0 x 27,0	G-LST831-210270
21,0 x 31,0	G-LST831-210310

Telefon: +49 (0) 4952 895 44 0

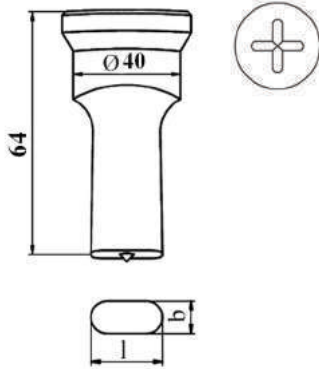
E-Mail: info@schuelpke.de



**Langloch-
Stempel**

Nr. 8-40

oblong punch

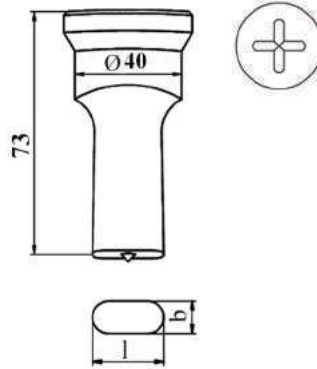


b x l	Best-Nr.
9,0 x 40,0	G-LST840-090400
10,0 x 40,0	G-LST840-100400
11,0 x 40,0	G-LST840-110400
13,0 x 40,0	G-LST840-130400
14,0 x 40,0	G-LST840-140400
16,0 x 40,0	G-LST840-160400
17,0 x 40,0	G-LST840-170400
18,0 x 36,0	G-LST840-180360
18,0 x 40,0	G-LST840-180400
19,0 x 40,0	G-LST840-190400
20,0 x 40,0	G-LST840-200400
22,0 x 40,0	G-LST840-220400
24,0 x 40,0	G-LST840-240400
26,0 x 40,0	G-LST840-260400

**Langloch-
Stempel**

Nr. 10-40

oblong punch

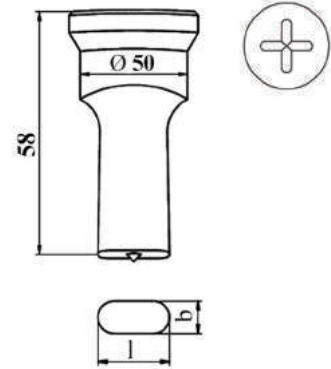


b x l	Best-Nr.
5,5 x 25,0	G-LST1040-055250
6,5 x 26,0	G-LST1040-065260
6,5 x 30,0	G-LST1040-065300
7,5 x 26,0	G-LST1040-075260
7,5 x 30,0	G-LST1040-075300
9,0 x 26,0	G-LST1040-090260
9,0 x 30,0	G-LST1040-090300
10,0 x 26,0	G-LST1040-100260
10,0 x 30,0	G-LST1040-100300
11,0 x 26,0	G-LST1040-110260
11,0 x 30,0	G-LST1040-110300
12,0 x 24,0	G-LST1040-120240
12,0 x 30,0	G-LST1040-120300
12,0 x 35,0	G-LST1040-120350
13,0 x 26,0	G-LST1040-130260
13,0 x 30,0	G-LST1040-130300
13,0 x 35,0	G-LST1040-130350
14,0 x 26,0	G-LST1040-140260
14,0 x 28,0	G-LST1040-140280
14,0 x 35,0	G-LST1040-140350
16,0 x 26,0	G-LST1040-160260
16,0 x 31,0	G-LST1040-160310
18,0 x 26,0	G-LST1040-180260
18,0 x 31,0	G-LST1040-180310
18,0 x 36,0	G-LST1040-180360
20,0 x 31,0	G-LST1040-200310
22,0 x 31,0	G-LST1040-220310

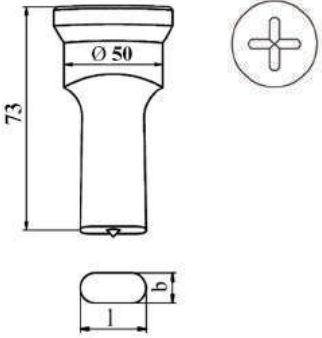
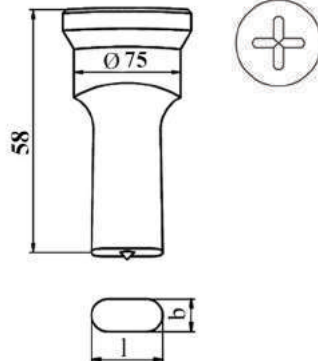
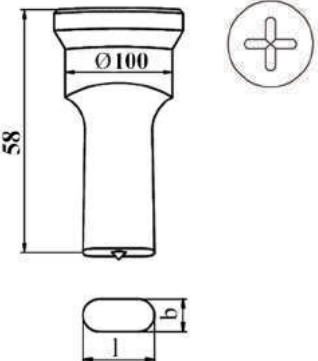
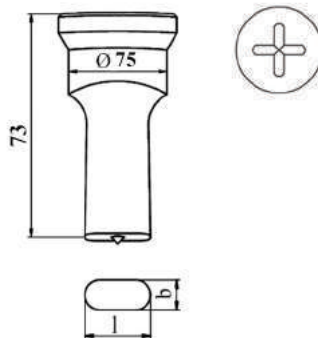
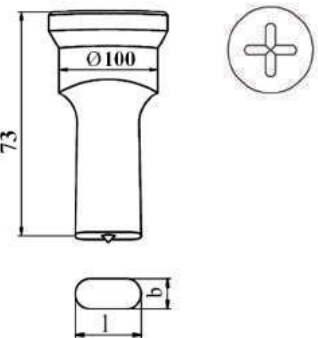
**Langloch-
Stempel**

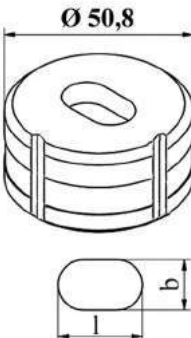
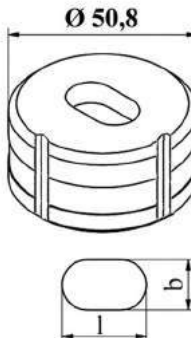
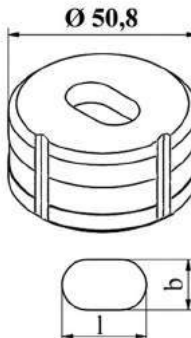
Nr. 11

oblong punch

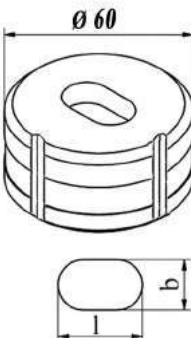
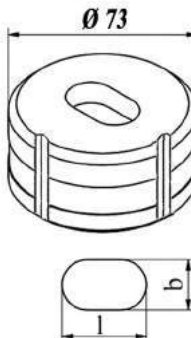
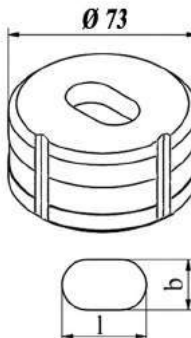


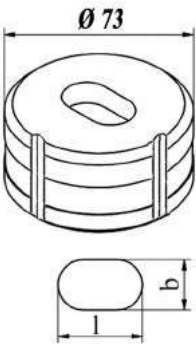
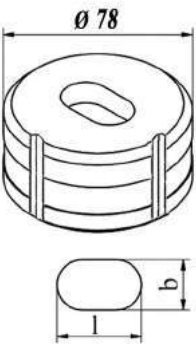
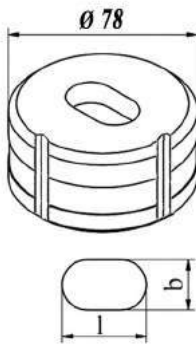
b x l	Best-Nr.
10,0 x 30,0	G-LST11-100300
11,0 x 30,0	G-LST11-110300
12,0 x 30,0	G-LST11-120300
12,0 x 35,0	G-LST11-120350
12,0 x 40,0	G-LST11-120400
13,0 x 30,0	G-LST11-130300
13,0 x 35,0	G-LST11-130350
13,0 x 40,0	G-LST11-130400
14,0 x 28,0	G-LST11-140280
14,0 x 35,0	G-LST11-140350
14,0 x 40,0	G-LST11-140400
16,0 x 31,0	G-LST11-160310
16,0 x 40,0	G-LST11-160400
18,0 x 31,0	G-LST11-180310
18,0 x 40,0	G-LST11-180400
20,0 x 31,0	G-LST11-200310
20,0 x 40,0	G-LST11-200400
22,0 x 31,0	G-LST11-220310
22,0 x 40,0	G-LST11-220400

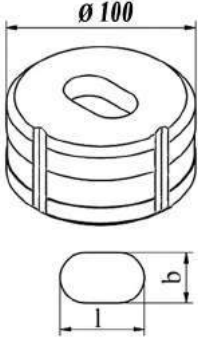
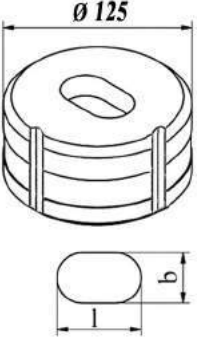
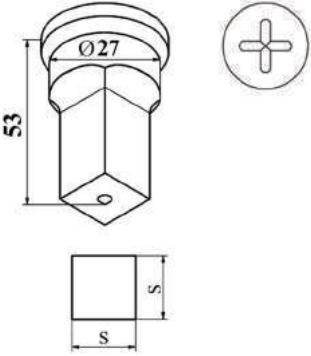
<p>Langloch-Stempel Nr. 11 A oblong punch</p>  <p>b x l Best-Nr.</p> <p>22,0 x 45,0 G-LST11A-220450 22,0 x 50,0 G-LST11A-220500</p>	<p>Langloch-Stempel Nr. 12 oblong punch</p>  <p>b x l Best-Nr.</p> <p>16,0 x 55,0 G-LST12-160550 18,0 x 55,0 G-LST12-180550 20,0 x 55,0 G-LST12-200550 22,0 x 55,0 G-LST12-220550</p>	<p>Langloch-Stempel Nr. 13 oblong punch</p>  <p>b x l Best-Nr.</p> <p>auf Anfrage /on application</p>
	<p>Langloch-Stempel Nr. 12 A oblong punch</p>  <p>b x l Best-Nr.</p> <p>16,0 x 55,0 G-LST12A-160550 18,0 x 55,0 G-LST12A-180550 20,0 x 55,0 G-LST12A-200550 22,0 x 55,0 G-LST12A-220550</p>	<p>Langloch-Stempel Nr. 13 A oblong punch</p>  <p>b x l Best-Nr.</p> <p>auf Anfrage /on application</p>

Langloch-Matrize oblong die		Nr. 5	Langloch-Matrize oblong die		Nr. 5	Langloch-Matrize oblong die		Nr. 5
								
b x l	Best-Nr.		b x l	Best-Nr.		b x l	Best-Nr.	
5,2 x 10,2	G-LMA5-052102		10,2 x 14,2	G-LMA5-102142		18,2 x 31,2	G-LMA5-182312	
5,7 x 10,7	G-LMA5-057107		10,7 x 14,7	G-LMA5-107147		18,7 x 31,7	G-LMA5-187317	
5,2 x 14,2	G-LMA5-052142		10,2 x 20,2	G-LMA5-102202		19,2 x 26,2	G-LMA5-192262	
5,7 x 14,7	G-LMA5-057147		10,7 x 20,7	G-LMA5-107207		19,7 x 26,7	G-LMA5-197267	
5,7 x 10,2	G-LMA5-057102		10,2 x 26,2	G-LMA5-102262		20,2 x 26,2	G-LMA5-202262	
6,2 x 10,7	G-LMA5-062107		10,7 x 26,7	G-LMA5-107267		20,7 x 26,7	G-LMA5-207267	
5,7 x 14,2	G-LMA5-057142		10,2 x 30,2	G-LMA5-102302		20,2 x 31,2	G-LMA5-202312	
6,2 x 14,7	G-LMA5-062147		10,7 x 30,7	G-LMA5-107307		20,7 x 31,7	G-LMA5-207317	
5,7 x 19,2	G-LMA5-057192		11,2 x 22,2	G-LMA5-112222		22,2 x 31,2	G-LMA5-222312	
6,2 x 19,7	G-LMA5-062197		11,7 x 22,7	G-LMA5-117227		22,7 x 31,7	G-LMA5-227317	
5,7 x 25,2	G-LMA5-057252		11,2 x 26,2	G-LMA5-112262				
6,2 x 25,7	G-LMA5-062257		11,7 x 26,7	G-LMA5-117267				
6,7 x 12,2	G-LMA5-067122		11,2 x 30,2	G-LMA5-112302				
7,2 x 12,7	G-LMA5-072127		11,7 x 30,7	G-LMA5-117307				
6,7 x 18,2	G-LMA5-067182		12,2 x 24,2	G-LMA5-122242		7,7 x 10,7	G-LMA5-077107	
7,2 x 18,7	G-LMA5-072187		12,7 x 24,7	G-LMA5-127247		7,7 x 15,7	G-LMA5-077157	
6,7 x 26,2	G-LMA5-067262		12,2 x 30,2	G-LMA5-122302		7,7 x 20,7	G-LMA5-077207	
7,2 x 26,7	G-LMA5-072267		12,7 x 30,7	G-LMA5-127307		8,2 x 16,2	G-LMA5-082162	
6,7 x 30,2	G-LMA5-067302		13,2 x 26,2	G-LMA5-132262		8,7 x 16,7	G-LMA5-082167	
7,2 x 30,7	G-LMA5-072307		13,7 x 26,7	G-LMA5-137267		9,7 x 13,7	G-LMA5-097137	
7,7 x 14,2	G-LMA5-077142		13,2 x 30,2	G-LMA5-132302		9,7 x 19,7	G-LMA5-097197	
8,2 x 14,7	G-LMA5-082217		13,7 x 30,7	G-LMA5-137307		9,7 x 25,7	G-LMA5-097257	
7,7 x 21,2	G-LMA5-077212		14,2 x 26,2	G-LMA5-142262		11,7 x 17,7	G-LMA5-117177	
8,2 x 21,7	G-LMA5-082217		14,7 x 26,7	G-LMA5-147267		11,7 x 23,7	G-LMA5-117237	
7,7 x 26,2	G-LMA5-077302		14,2 x 31,2	G-LMA5-142312		13,7 x 18,7	G-LMA5-137227	
8,2 x 26,7	G-LMA5-082267		14,7 x 31,7	G-LMA5-147317		13,7 x 22,7	G-LMA5-137227	
7,7 x 30,2	G-LMA5-077302		15,2 x 31,2	G-LMA5-152312		13,7 x 27,7	G-LMA5-137277	
8,2 x 30,7	G-LMA5-082307		15,7 x 31,7	G-LMA5-157317		13,7 x 31,7	G-LMA5-137317	
9,2 x 14,2	G-LMA5-092142		16,2 x 26,2	G-LMA5-162262		15,7 x 20,7	G-LMA5-157207	
9,7 x 14,7	G-LMA5-097147		16,7 x 26,7	G-LMA5-167267		15,7 x 24,7	G-LMA5-157247	
9,2 x 18,2	G-LMA5-092182		16,2 x 31,2	G-LMA5-162312		15,7 x 27,7	G-LMA5-157277	
9,7 x 18,7	G-LMA5-097187		16,7 x 31,7	G-LMA5-167317		17,7 x 22,7	G-LMA5-177227	
9,2 x 26,2	G-LMA5-092262		17,2 x 26,2	G-LMA5-172262		17,2 x 31,2	G-LMA5-172312	
9,7 x 26,7	G-LMA5-097267		17,7 x 26,7	G-LMA5-177267		17,7 x 31,7	G-LMA5-177317	
9,2 x 30,2	G-LMA5-092302		18,2 x 26,2	G-LMA5-182262		19,7 x 31,7	G-LMA5-197317	
9,7 x 30,7	G-LMA5-097307		18,7 x 26,7	G-LMA5-187267		21,2 x 27,2	G-LMA5-212272	
						21,7 x 27,7	G-LMA5-217277	

Zusätzliche Abmessungen:

Langloch-Matrize oblong die		Nr. 8	Langloch-Matrize oblong die		Nr. 10	Langloch-Matrize oblong die		Nr. 10
								
b x l	Best-Nr.	b x l	Best-Nr.	b x l	Best-Nr.	b x l	Best-Nr.	
9,7 x 40,7	G-LMA8-097407	5,2 x 10,2	G-LMA10-052102	10,2 x 14,2	G-LMA10-102142			
10,7 x 40,7	G-LMA8-107407	5,7 x 10,7	G-LMA10-057107	10,7 x 14,7	G-LMA10-107147			
11,7 x 40,7	G-LMA8-117407	5,2 x 14,2	G-LMA10-052142	10,2 x 20,2	G-LMA10-102202			
13,7 x 40,7	G-LMA8-137407	5,7 x 14,7	G-LMA10-057147	10,7 x 20,7	G-LMA10-107207			
14,7 x 40,7	G-LMA8-147407	5,7 x 10,2	G-LMA10-057102	10,2 x 26,2	G-LMA10-102262			
16,7 x 40,7	G-LMA8-167407	6,2 x 10,7	G-LMA10-062107	10,7 x 26,7	G-LMA10-107267			
17,7 x 40,7	G-LMA8-177407	5,7 x 14,2	G-LMA10-057142	10,2 x 30,2	G-LMA10-102302			
18,7 x 36,7	G-LMA8-187367	6,2 x 14,7	G-LMA10-062147	10,7 x 30,7	G-LMA10-107307			
18,7 x 40,7	G-LMA8-187407	5,7 x 19,2	G-LMA10-057192	11,2 x 22,2	G-LMA10-112222			
19,7 x 40,7	G-LMA8-197407	6,2 x 19,7	G-LMA10-062197	11,7 x 22,7	G-LMA10-117227			
20,7 x 40,7	G-LMA8-207407	5,7 x 25,2	G-LMA10-057252	11,7 x 26,7	G-LMA10-117267			
22,7 x 40,7	G-LMA8-227407	6,2 x 25,7	G-LMA10-062257	11,2 x 30,2	G-LMA10-112302			
24,7 x 40,7	G-LMA8-247407	6,7 x 12,2	G-LMA10-067122	11,7 x 30,7	G-LMA10-117307			
26,7 x 40,7	G-LMA8-267407	7,2 x 12,7	G-LMA10-072127	11,2 x 40,2	G-LMA10-112402			
		6,7 x 18,2	G-LMA10-067182	11,7 x 40,7	G-LMA10-117407			
		7,2 x 18,7	G-LMA10-072187	12,2 x 24,2	G-LMA10-122242			
		6,7 x 26,2	G-LMA10-067262	12,7 x 24,7	G-LMA10-127247			
		7,2 x 26,7	G-LMA10-072267	12,2 x 30,2	G-LMA10-122302			
		6,7 x 30,2	G-LMA10-067302	12,7 x 30,7	G-LMA10-127307			
		7,2 x 30,7	G-LMA10-072307	12,2 x 35,2	G-LMA10-122352			
		7,7 x 14,2	G-LMA10-077142	12,7 x 35,7	G-LMA10-127357			
		8,2 x 14,7	G-LMA10-082217	12,2 x 40,2	G-LMA10-122402			
		7,7 x 21,2	G-LMA10-077212	12,7 x 40,7	G-LMA10-127407			
		8,2 x 21,7	G-LMA10-082217	13,2 x 26,2	G-LMA10-132262			
		7,7 x 26,2	G-LMA10-077302	13,7 x 26,7	G-LMA10-137267			
		8,2 x 26,7	G-LMA10-082267	13,2 x 30,2	G-LMA10-132302			
		7,7 x 30,2	G-LMA10-077302	13,7 x 30,7	G-LMA10-137307			
		8,2 x 30,7	G-LMA10-082307	13,2 x 35,2	G-LMA10-132352			
		9,2 x 14,2	G-LMA10-092142	13,7 x 35,7	G-LMA10-137357			
		9,7 x 14,7	G-LMA10-097147	13,2 x 40,2	G-LMA10-132402			
		9,2 x 18,2	G-LMA10-092182	13,7 x 40,7	G-LMA10-137407			
		9,7 x 18,7	G-LMA10-097187	14,2 x 26,2	G-LMA10-142262			
		9,2 x 26,2	G-LMA10-092262	14,7 x 26,7	G-LMA10-147267			
		9,7 x 26,7	G-LMA10-097267	14,2 x 28,2	G-LMA10-142282			
		9,2 x 30,2	G-LMA10-092302	14,7 x 28,7	G-LMA10-147287			
		9,7 x 30,7	G-LMA10-097307	14,2 x 35,2	G-LMA10-147352			

Langloch-Matrize oblong die		Langloch-Matrize oblong die		Langloch-Matrize oblong die	
Nr. 10		Nr. 11		Nr. 11	
					
b x l	Best-Nr.	b x l	Best-Nr.	b x l	Best-Nr.
14,7 x 35,7	G-LMA10-147357	10,2 x 30,2	G-LMA11-102302	22,2 x 40,2	G-LMA11-222402
14,2 x 40,2	G-LMA10-147402	10,7 x 30,7	G-LMA11-107307	22,7 x 40,7	G-LMA11-227407
14,7 x 40,7	G-LMA10-147407	11,2 x 30,2	G-LMA11-112302	22,2 x 45,2	G-LMA11-222452
16,2 x 26,2	G-LMA10-162262	11,7 x 30,7	G-LMA11-117307	22,7 x 45,7	G-LMA11-227457
16,7 x 26,7	G-LMA10-167267	12,2 x 30,2	G-LMA11-122302	22,2 x 50,2	G-LMA11-222502
16,2 x 31,2	G-LMA10-162312	12,7 x 30,7	G-LMA11-127307	22,7 x 50,7	G-LMA11-227507
16,7 x 31,7	G-LMA10-167317	12,2 x 35,2	G-LMA11-122352		
16,2 x 40,2	G-LMA10-167402	12,7 x 35,7	G-LMA11-127357		
16,7 x 40,7	G-LMA10-167407	12,2 x 40,2	G-LMA11-122402		
18,2 x 26,2	G-LMA10-182262	12,7 x 40,7	G-LMA11-127407		
18,7 x 26,7	G-LMA10-187267	13,2 x 30,2	G-LMA11-132302		
18,2 x 31,2	G-LMA10-182312	13,7 x 30,7	G-LMA11-137307		
18,7 x 31,7	G-LMA10-187317	13,2 x 35,2	G-LMA11-132352		
18,2 x 36,2	G-LMA10-187362	13,7 x 35,7	G-LMA11-137357		
18,7 x 36,7	G-LMA10-187367	13,2 x 40,2	G-LMA11-132402		
18,2 x 40,2	G-LMA10-187402	13,7 x 40,7	G-LMA11-137407		
18,7 x 40,7	G-LMA10-187407	14,2 x 28,2	G-LMA11-142282		
20,2 x 31,2	G-LMA10-202312	14,7 x 28,7	G-LMA11-147287		
20,7 x 31,7	G-LMA10-207317	14,2 x 35,2	G-LMA11-142352		
20,2 x 40,2	G-LMA10-202402	14,7 x 35,7	G-LMA11-147357		
20,7 x 40,7	G-LMA10-207407	14,2 x 40,2	G-LMA11-142402		
22,2 x 31,2	G-LMA10-222312	14,7 x 40,7	G-LMA11-147407		
22,7 x 31,7	G-LMA10-227317	16,2 x 31,2	G-LMA11-162312		
22,2 x 40,2	G-LMA10-222402	16,7 x 31,7	G-LMA11-167317		
22,7 x 40,7	G-LMA10-227407	16,2 x 40,2	G-LMA11-162402		
		16,7 x 40,7	G-LMA11-167407		
		18,2 x 31,2	G-LMA11-182312		
		18,7 x 31,7	G-LMA11-187317		
		18,2 x 40,2	G-LMA11-182402		
		18,7 x 40,7	G-LMA11-187407		
		20,2 x 31,2	G-LMA11-202312		
		20,7 x 31,7	G-LMA11-207317		
		20,2 x 40,2	G-LMA11-202402		
		20,7 x 40,7	G-LMA11-207407		
		22,2 x 31,2	G-LMA11-222312		
		22,7 x 31,7	G-LMA11-227317		

Langloch-Matrize	Nr. 12	Langloch-Matrize	Nr. 13	Vierkant-Stempel	Nr. 5-27
oblong die		oblong die		square punch	
					
b x l	Best-Nr.	b x l	Best-Nr.	s=	Best.-Nr.
16,5 x 55,5 18,5 x 55,5 20,5 x 55,5 22,5 x 55,5	G-LMA12-165555 G-LMA12-185555 G-LMA12-205555 G-LMA12-225555	Preis auf Anfrage / price on application		4.0 5.0 6.0 7.0 8.0 9.0 10.0 11.0 12.0 13.0 14.0 15.0 16.0 17.0 18.0 19.0 *20.0	G-VKS527-0040 G-VKS527-0050 G-VKS527-0060 G-VKS527-0070 G-VKS527-0080 G-VKS527-0090 G-VKS527-0100 G-VKS527-0110 G-VKS527-0120 G-VKS527-0130 G-VKS527-0140 G-VKS527-0150 G-VKS527-0160 G-VKS527-0170 G-VKS527-0180 G-VKS527-0190 G-VKS527-0200
					* Übergröße

Telefon: +49 (0) 4952 895 44 0

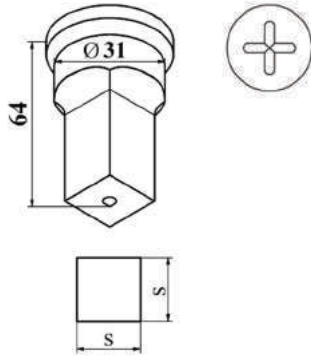
E-Mail: info@schuelpke.de



**Vierkant-
Stempel**

Nr. 8-31

square punch

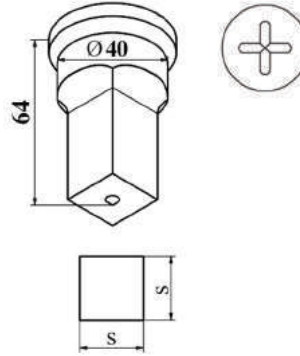


s=	Best.-Nr.
4.0	G-VKS831-0040
5.0	G-VKS831-0050
6.0	G-VKS831-0060
7.0	G-VKS831-0070
8.0	G-VKS831-0080
9.0	G-VKS831-0090
10.0	G-VKS831-0100
11.0	G-VKS831-0110
12.0	G-VKS831-0120
13.0	G-VKS831-0130
14.0	G-VKS831-0140
15.0	G-VKS831-0150
16.0	G-VKS831-0160
17.0	G-VKS831-0170
18.0	G-VKS831-0180
19.0	G-VKS831-0190
20.0	G-VKS831-0200
21.0	G-VKS831-0210
22.0	G-VKS831-0220

**Vierkant-
Stempel**

Nr. 8-40

square punch

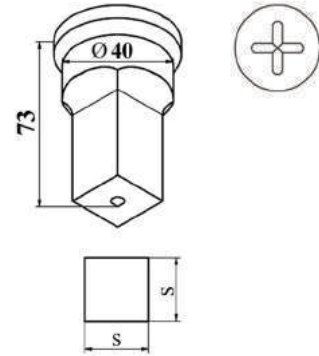


s=	Best.-Nr.
22.0	G-VKS840-0220
23.0	G-VKS840-0230
24.0	G-VKS840-0240
25.0	G-VKS840-0250
26.0	G-VKS840-0260
27.0	G-VKS840-0270
28.0	G-VKS840-0280

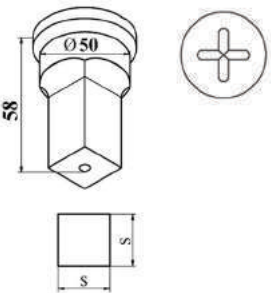
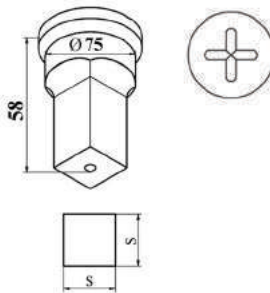
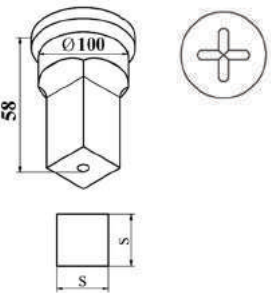
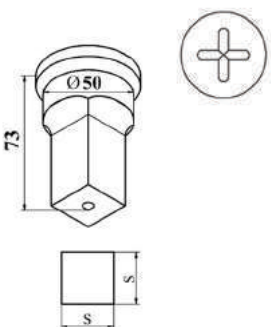
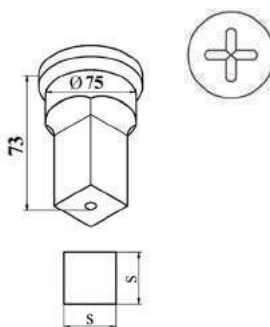
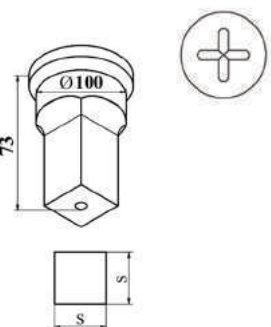
**Vierkant-
Stempel**

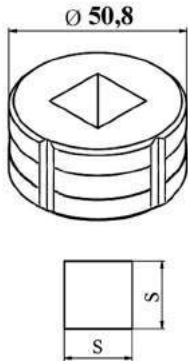
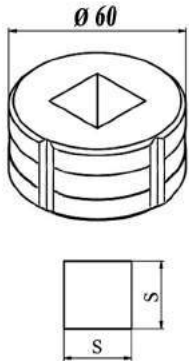
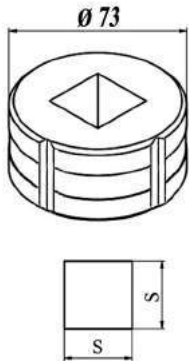
Nr. 10-40

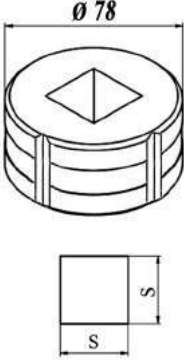
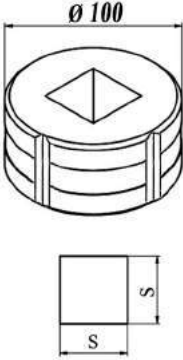
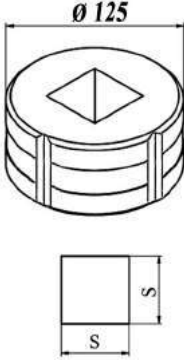
square punch



s=	Best.-Nr.
16.0	G-VKS1040-0160
17.0	G-VKS1040-0170
18.0	G-VKS1040-0180
19.0	G-VKS1040-0190
20.0	G-VKS1040-0200
21.0	G-VKS1040-0210
22.0	G-VKS1040-0220
23.0	G-VKS1040-0230
24.0	G-VKS1040-0240
25.0	G-VKS1040-0250
26.0	G-VKS1040-0260
27.0	G-VKS1040-0270
28.0	G-VKS1040-0280

<p>Vierkant-Stempel Nr. 11 square punch</p>  <p>s= Best.-Nr.</p> <p>20.0 G-VKS11-0200 21.0 G-VKS11-0210 22.0 G-VKS11-0220 23.0 G-VKS11-0230 24.0 G-VKS11-0240 25.0 G-VKS11-0250 26.0 G-VKS11-0260 27.0 G-VKS11-0270 28.0 G-VKS11-0280 29.0 G-VKS11-0290 30.0 G-VKS11-0300 31.0 G-VKS11-0310 32.0 G-VKS11-0320 33.0 G-VKS11-0330 34.0 G-VKS11-0340 35.0 G-VKS11-0350</p>	<p>Vierkant-Stempel Nr. 12 square punch</p>  <p>s= Best.-Nr.</p> <p>40.0 G-VKS12-0400 45.0 G-VKS12-0450 50.0 G-VKS12-0500</p>	<p>Vierkant-Stempel Nr. 13 square punch</p>  <p>s= Best.-Nr.</p> <p>55.0 G-VKS13-0550 60.0 G-VKS13-0600 65.0 G-VKS13-0650 70.0 G-VKS13-0700</p>
<p>Vierkant-Stempel Nr. 11 A square punch</p>  <p>s= Best.-Nr.</p> <p>31.0 G-VKS11A-0310 33.0 G-VKS11A-0330 35.0 G-VKS11A-0350</p>	<p>Vierkant-Stempel Nr. 12 A square punch</p>  <p>s= Best.-Nr.</p> <p>40.0 G-VKS12A-0400 45.0 G-VKS12A-0450 50.0 G-VKS12A-0500</p>	<p>Vierkant-Stempel Nr. 13 A square punch</p>  <p>s= Best.-Nr.</p> <p>55.0 G-VKS13A-0550 60.0 G-VKS13A-0600 65.0 G-VKS13A-0650 70.0 G-VKS13A-0700</p>

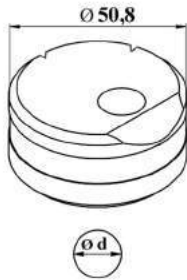
Vierkant-Matrize square die		Nr. 5	Vierkant-Matrize square die		Nr. 8	Vierkant-Matrize square die		Nr. 10
								
s=	Best.-Nr.	s=	Best.-Nr.	s=	Best.-Nr.	s=	Best.-Nr.	
4.2	G-VKM5-0042	4.2	G-VKM8-0042	15.2	G-VKM10-0152			
5.2	G-VKM5-0052	4.7	G-VKM8-0047	15.7	G-VKM10-0157			
6.2	G-VKM5-0062	5.2	G-VKM8-0052	16.2	G-VKM10-0162			
6.7	G-VKM5-0067	5.7	G-VKM8-0057	16.7	G-VKM10-0167			
7.2	G-VKM5-0072	6.2	G-VKM8-0062	17.2	G-VKM10-0172			
7.7	G-VKM5-0077	6.7	G-VKM8-0067	17.7	G-VKM10-0177			
8.2	G-VKM5-0082	7.2	G-VKM8-0072	18.2	G-VKM10-0182			
8.7	G-VKM5-0087	7.7	G-VKM8-0077	18.7	G-VKM10-0187			
9.2	G-VKM5-0092	8.2	G-VKM8-0082	19.2	G-VKM10-0192			
9.7	G-VKM5-0097	8.7	G-VKM8-0087	19.7	G-VKM10-0197			
10.2	G-VKM5-0102	9.2	G-VKM8-0092	20.2	G-VKM10-0202			
10.7	G-VKM5-0107	9.7	G-VKM8-0097	20.7	G-VKM10-0207			
11.2	G-VKM5-0112	10.2	G-VKM8-0102	21.2	G-VKM10-0212			
11.7	G-VKM5-0117	10.7	G-VKM8-0107	21.7	G-VKM10-0217			
12.2	G-VKM5-0122	11.2	G-VKM8-0112	22.2	G-VKM10-0222			
12.7	G-VKM5-0127	11.7	G-VKM8-0117	22.7	G-VKM10-0227			
13.2	G-VKM5-0132	12.2	G-VKM8-0122	23.2	G-VKM10-0232			
13.7	G-VKM5-0137	12.7	G-VKM8-0127	23.7	G-VKM10-0237			
14.2	G-VKM5-0142	13.2	G-VKM8-0132	24.2	G-VKM10-0242			
14.7	G-VKM5-0147	13.7	G-VKM8-0137	24.7	G-VKM10-0247			
15.2	G-VKM5-0152	14.2	G-VKM8-0142	25.2	G-VKM10-0252			
15.7	G-VKM5-0157	14.7	G-VKM8-0147	25.7	G-VKM10-0257			
16.2	G-VKM5-0162	15.2	G-VKM8-0152	26.2	G-VKM10-0262			
16.7	G-VKM5-0167	15.7	G-VKM8-0157	26.7	G-VKM10-0267			
17.2	G-VKM5-0172	16.2	G-VKM8-0162	27.2	G-VKM10-0272			
17.7	G-VKM5-0177			27.7	G-VKM10-0277			
18.2	G-VKM5-0182			28.2	G-VKM10-0282			
18.7	G-VKM5-0187			28.7	G-VKM10-0287			
19.2	G-VKM5-0192							
19.7	G-VKM5-0197							
20.2	G-VKM5-0202							
20.7	G-VKM5-0207							
21.2	G-VKM5-0212							
21.7	G-VKM5-0217							
22.2	G-VKM5-0222							
22.7	G-VKM5-0227							

Vierkant-Matrize	Nr. 11	Vierkant-Matrize	Nr. 12	Vierkant-Matrize	Nr. 13
square die		square die		square die	
					
s=	Best.-Nr.	s=	Best.-Nr.	s=	Best.-Nr.
20.2 20.7 21.2 21.7 22.2 22.7 23.2 23.7 24.2 24.7 25.2 25.7 26.2 26.7 27.2 27.7 28.2 28.7 29.2 29.7 30.2 30.7 31.2 31.7 32.2 32.7 33.2 33.7 34.2 34.7 35.2 35.7	G-VKM11-0202 G-VKM11-0207 G-VKM11-0212 G-VKM11-0217 G-VKM11-0222 G-VKM11-0227 G-VKM11-0232 G-VKM11-0237 G-VKM11-0242 G-VKM11-0247 G-VKM11-0252 G-VKM11-0257 G-VKM11-0262 G-VKM11-0267 G-VKM11-0272 G-VKM11-0277 G-VKM11-0282 G-VKM11-0287 G-VKM11-0292 G-VKM11-0297 G-VKM11-0302 G-VKM11-0307 G-VKM11-0312 G-VKM11-0317 G-VKM11-0322 G-VKM11-0327 G-VKM11-0332 G-VKM11-0337 G-VKM11-0342 G-VKM11-0347 G-VKM11-0352 G-VKM11-0357	40.3 45.3 50.3	G-VKM12-0403 G-VKM12-0453 G-VKM12-0503	55.3 60.3 65.3 70.3	G-VKM13-0553 G-VKM13-0603 G-VKM13-0653 G-VKM13-0703

**Winkelstahl-
Matrize**

Nr. 5 E

offset round die



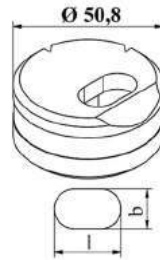
d=	Best.-Nr.
6.2	G-WSM5E-0062
6.7	G-WSM5E-0067
7.2	G-WSM5E-0072
7.7	G-WSM5E-0077
8.2	G-WSM5E-0082
8.7	G-WSM5E-0087
9.2	G-WSM5E-0092
9.7	G-WSM5E-0097
10.2	G-WSM5E-0102
10.7	G-WSM5E-0107
11.2	G-WSM5E-0112
11.7	G-WSM5E-0117
12.2	G-WSM5E-0122
12.7	G-WSM5E-0127
13.2	G-WSM5E-0132
13.7	G-WSM5E-0137
14.2	G-WSM5E-0142
14.7	G-WSM5E-0147
15.2	G-WSM5E-0152
15.7	G-WSM5E-0157
16.2	G-WSM5E-0162
16.7	G-WSM5E-0167
17.2	G-WSM5E-0172
17.7	G-WSM5E-0177
18.2	G-WSM5E-0182
18.7	G-WSM5E-0187
19.2	G-WSM5E-0192
19.7	G-WSM5E-0197
20.2	G-WSM5E-0202
20.7	G-WSM5E-0207
21.2	G-WSM5E-0212
21.7	G-WSM5E-0217
22.2	G-WSM5E-0222
22.7	G-WSM5E-0227
23.2	G-WSM5E-0232
23.7	G-WSM5E-0237
24.2	G-WSM5E-0242
24.7	G-WSM5E-0247

**Langloch-
Winkelstahl-
Matrize**

Nr. 5 E

quer

oblong offset die transverse



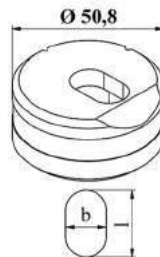
b x l	Best.-Nr.
6,2 x 14,7	G-LWQ5E-062147
6,2 x 25,7	G-LWQ5E-062257
7,2 x 26,7	G-LWQ5E-072267
8,2 x 26,7	G-LWQ5E-082267
9,7 x 14,7	G-LWQ5E-097147
9,7 x 26,7	G-LWQ5E-097267
10,7 x 20,7	G-LWQ5E-107207
11,7 x 22,7	G-LWQ5E-117227
11,7 x 26,7	G-LWQ5E-117267
13,7 x 26,7	G-LWQ5E-137267
14,7 x 26,7	G-LWQ5E-147267
16,7 x 26,7	G-LWQ5E-167267

**Langloch-
Winkelstahl-
Matrize**

Nr. 5 E

längs

oblong offset die longitudinal

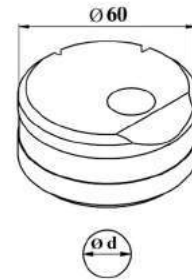


b x l	Best.-Nr.
6,2 x 14,7	G-LWL5E-062147
6,2 x 25,7	G-LWL5E-062257
7,2 x 26,7	G-LWL5E-072267
8,2 x 26,7	G-LWL5E-082267
9,7 x 14,7	G-LWL5E-097147
9,7 x 26,7	G-LWL5E-097267
10,7 x 20,7	G-LWL5E-107207
11,7 x 22,7	G-LWL5E-117227
11,7 x 26,7	G-LWL5E-117267
13,7 x 26,7	G-LWL5E-137267
14,7 x 26,7	G-LWL5E-147267
16,7 x 26,7	G-LWL5E-167267

**Winkelstahl-
Matrize**

Nr. 8 E

offset round die



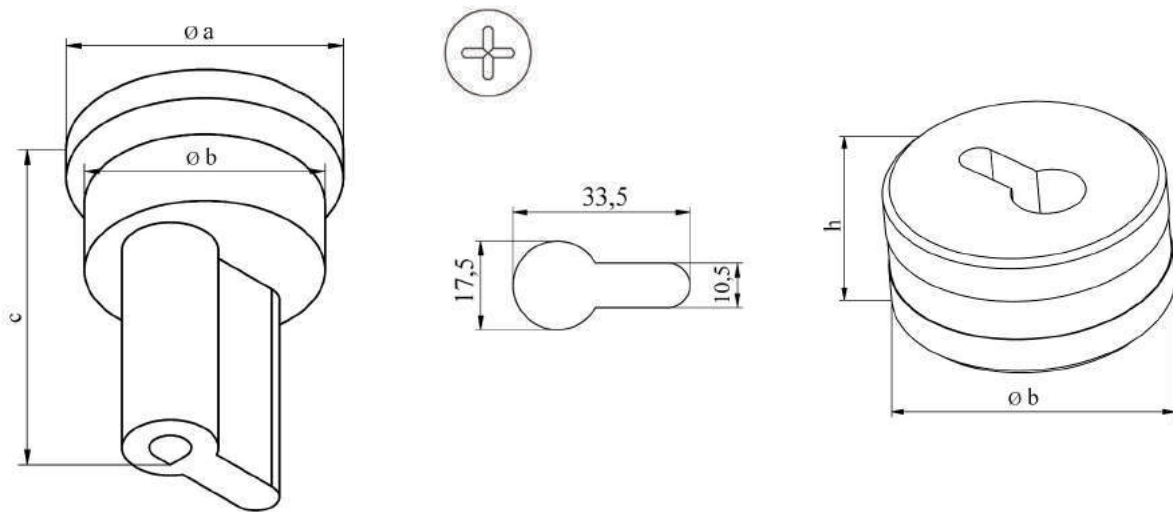
d=	Best.-Nr.
31.2	G-WSM8E-0312
31.7	G-WSM8E-0317
32.2	G-WSM8E-0322
32.7	G-WSM8E-0327
33.2	G-WSM8E-0332
33.7	G-WSM8E-0337
34.2	G-WSM8E-0342
34.7	G-WSM8E-0347
35.2	G-WSM8E-0352
35.7	G-WSM8E-0357
36.2	G-WSM8E-0362
36.7	G-WSM8E-0367
37.2	G-WSM8E-0372
37.7	G-WSM8E-0377
38.2	G-WSM8E-0382
38.7	G-WSM8E-0387
39.2	G-WSM8E-0392
39.7	G-WSM8E-0397
40.2	G-WSM8E-0402
40.7	G-WSM8E-0407

**Schlüsselloch-Stempel
zum Stanzen von Löchern
für Profilzylinder**

key hole punch for punching
holes for sectional cylinders

**Schlüsselloch-Matrize
zum Stanzen von Löchern
für Profilzylinder**

key hole die for punching
holes for sectional cylinders



Stempel Nr.	Ø a	Ø b	c	Bestell-Nr.	Matrize Nr.	h	Ø b	Bestell-Nr.
5-27				auf Anfrage / on application	5			auf Anfrage / on application
8-31				auf Anfrage / on application	8	32	60	G-SLM8-337177107
8-40	43.5	40	64	G-SLS840-335175105				

Abmessung: 33,5 x 17,5 x 10,5 mm

Abmessung: 33,7 x 17,7 x 10,7 mm

Bei Bestellung bitte angeben:

Materialstärke + Festigkeit

When ordering please state:

Material thickness + tensile strength

Telefon: +49 (0) 4952 895 44 0

E-Mail: info@schuelpke.de



**Eckenabrund-Stempel
zum Abrunden von Ecken**

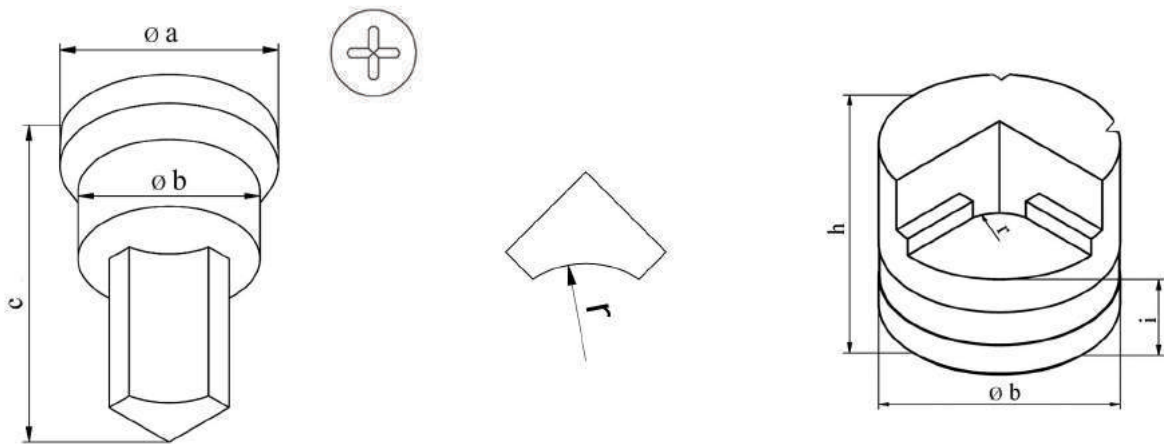
(90°) für Flachmaterial

corner radiusing punch for rounding off
corners (90°) of flats

**Eckenabrund-Matrize
zum Abrunden von Ecken**

(90°) für Flachmaterial

corner radiusing die for rounding off
corners (90°) of flats



Stempel Nr.	Ø a	Ø b	c	r	Bestell-Nr.	Matrizen Nr.	i	Ø b	Bestell-Nr.
5-27	30.5	27	53	(1)	G-EAS0527-0000xx	5	25.5	50.8	G-EAM5-0000xx
8-31	35	31	64	(2)	G-EAS0831-0000xx				
8-40	43.5	40	64	(3)	G-EAS0840-0000xx	8	32	60	G-EAM8-0000xx
10-40	43.5	40	73	26	G-EAS1040-000026				
11	54	50	58		auf Anfrage/on application	10	32	73	auf Anfrage/on application
12	79	75	58		auf Anfrage/on application	11	28.5	78	auf Anfrage/on application
13	104	100	58		auf Anfrage/on application	12	28.5	100	auf Anfrage/on application
						13	28.5	125	auf Anfrage/on application

Bei Bestellung bitte angeben:

Materialstärke + Festigkeit

(1) Radius: 5 mm, 10 mm

(2) Radius: 5 mm, 10 mm, 15 mm, 18 mm

(3) Radius: 20 mm, 26 mm

When ordering please state:

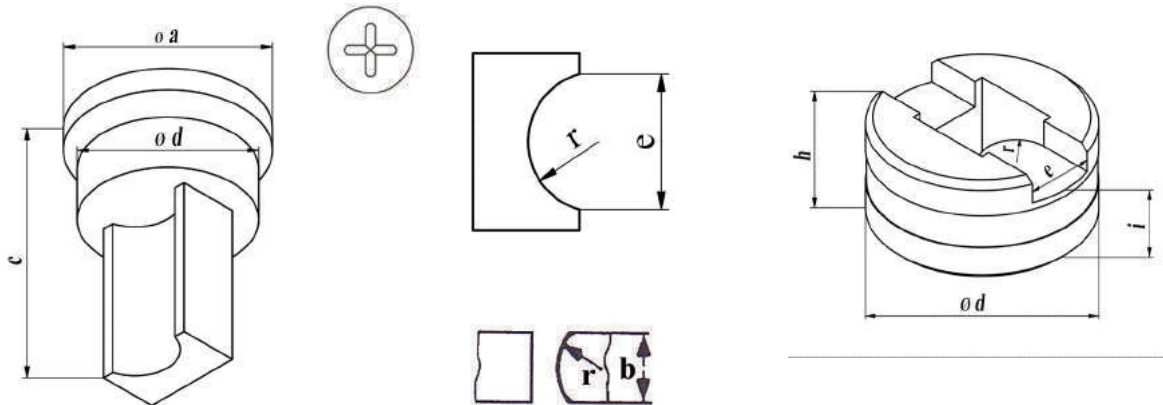
Material thickness + tensile strength

**Trenn-Abrund-Stempel
von Flachstahl**

shearing and one-sided
radiusing punch

**Trenn-Abrund-Matrize
von Flachstahl**

shearing and one-sided
radiusing die



Stempel Nr	Ø a	Ø d	c	e	r	Bestell-Nr.	Matrize Nr.	h	Ø d	Bestell-Nr.
5-27	30.5	27	53	20 x 6	15	G-TAS527-000015	5	25.5	50.8	G-TAM5-000015
				20 x 10	20	G-TAS527-000020				G-TAM5-000020
8-31	35	31	64	20 x 8	15	G-TAS831-000015	8	32	60	G-TAM5-000025
				25 x 8	25	G-TAS831-000025				G-TAM8-000015
8-40	43.5	40	64	30 x 8	20	G-TAS840-000020	10	32	73	G-TAM8-000020
				30 x 10	30	G-TAS840-000030				G-TAM8-000025
10-40	43.5	40	73	30 x 8	20	G-TAS1040-000020	11	28.5	78	G-TAM10-000020
				30 x 10	30	G-TAS1040-000030				G-TAM10-000030
11	54	50	58	40 x 10	30	G-TAS11-000030	12	28.5	100	G-TAM11-000030
				40 x 12	40	G-TAS11-000040				G-TAM11-000040
12	79	75	58	50 x 10	30	G-TAS12-000030	13	28.5	125	G-TAM12-000030
				60 x 14	45	G-TAS12-000045				G-TAM2-000045
13	104	100	58	70 x 12	40	G-TAS13-000040				G-TAM13-000040
				80 x 14	60	G-TAS13-000060				G-TAM13-000060

e = Material x Stärke

b = Materialbreite

Bei Bestellung bitte angeben:

Materialbreite

Materialstärke

Materialfestigkeit

When ordering please state:

material width

material thickness

material tensile strength

Telefon: +49 (0) 4952 895 44 0

E-Mail: info@schuelpke.de

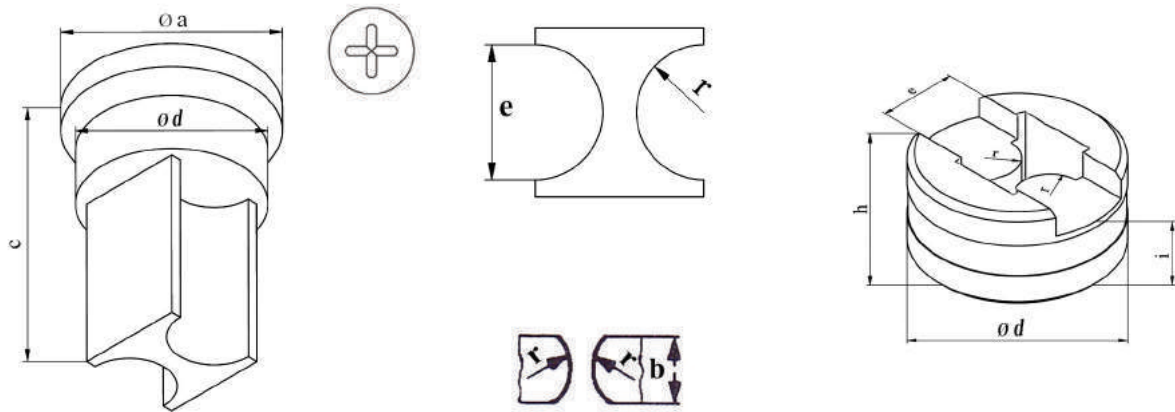


**Trenn-Doppel-Abrund-Stempel
von Flachstahl**

shearing and double-sided
radiusing punch

**Trenn-Doppel-Abrund-Matrize
von Flachstahl**

shearing and double-sided
radiusing die



Stempel Nr	Ø a	Ø d	c	e	r	Bestell-Nr.	Matrize Nr.	h	Ø d	Bestell-Nr.
5-27	30.5	27	53	20 x 6	15	G-TDS527-0000015	5	25.5	50.8	G-TDM5-000015
				20 x 10	20	G-TDS527-0000020				G-TDM5-000020
8-31	35	31	64	20 x 8	15	G-TDS831-0000015	8	32	60	G-TDM5-000025
				25 x 8	25	G-TDS831-0000025				G-TDM8-000015
8-40	43.5	40	64	30 x 8	20	G-TDS840-0000020	10	32	73	G-TDM8-000020
				30 x 10	30	G-TDS840-0000030				G-TDM8-000025
10-40	43.5	40	73	30 x 8	20	G-TDS1040-0000020	11	28.5	78	G-TDM10-000020
				30 x 10	30	G-TDS1040-0000030				G-TDM10-000030
11	54	50	58	40 x 10	30	G-TDS11-0000030	12	28.5	100	G-TDM11-000030
				40 x 12	40	G-TDS11-0000040				G-TDM11-000040
12	79	75	58	50 x 10	30	G-TDS12-0000030	13	28.5	125	G-TDM12-000030
				60 x 14	45	G-TDS12-0000045				G-TDM2-000045
13	104	100	58	70 x 12	40	G-TDS13-0000040				G-TDM13-000040
				80 x 14	60	G-TDS13-0000060				G-TDM13-000060

e = Material x Stärke
b = Materialbreite

Bei Bestellung bitte angeben:

Materialstärke + Festigkeit

When ordering please state:

material thickness + tensile strength



Die in diesem Katalog genannten Preise sind Grundpreise in EURO, bei Wiederverkauf durch den Handel jedoch unverbindliche Preisempfehlungen. Die Mehrwertsteuer ist in den Preisen nicht enthalten und wird separat ausgewiesen.

Für Zwischenabmessungen und abweichendes Schneidspiel wird ein Aufpreis pro Stempel und pro Matrize berechnet.

Preisstellung: ab Werk; ausschl. Verpackung

Um Ihren Auftrag schnell, genau und mit der nötigen Sorgfalt zu bearbeiten, bitten wir Sie, folgende Punkte zu prüfen bzw. zu beachten:

- passen die gewünschten Stempel und Matrizen in die Werkzeugaufnahme der vorhandenen Maschinen. Form und Abmessung der Stempel und Matrizen sind auf den Katalogseiten ersichtlich, eventuell bitte an vorhandenen Werkzeugen prüfen.
- ist das Eckenmaß der zu stanzenden Form nicht größer als der Schaftdurchmesser des Stempels
- sind Reduzierungen von einer größeren Vorrichtung auf die gewünschten kleineren Stempel und Matrizen vorhanden.
- Bei Stempeln und Matrizen, die von der Katalognorm und -form abweichen, geben Sie bitte die zu bearbeitende Materialstärke und -qualität an.

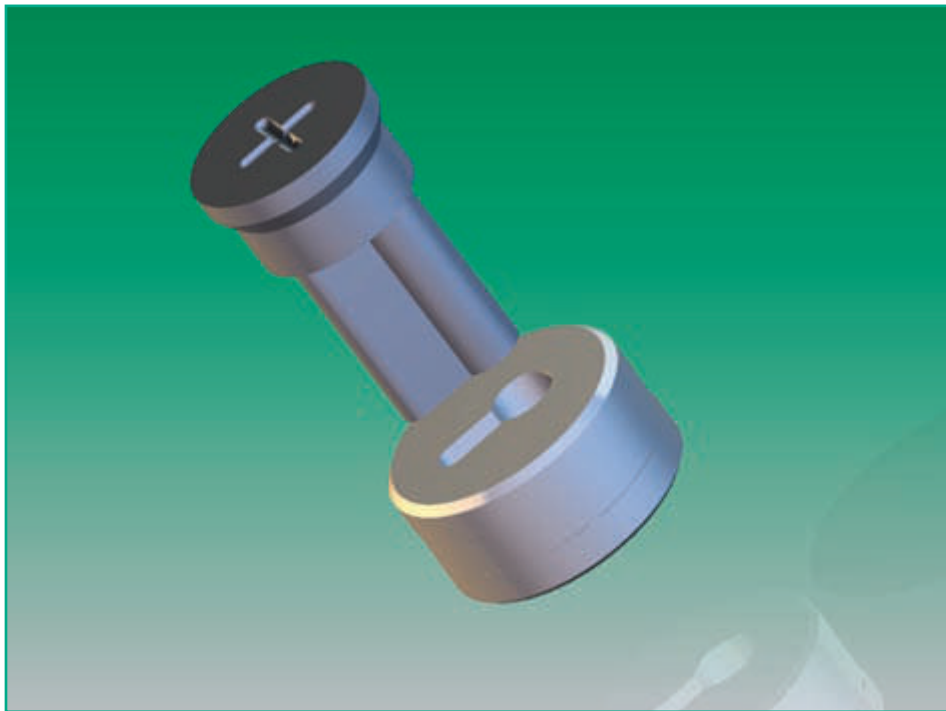
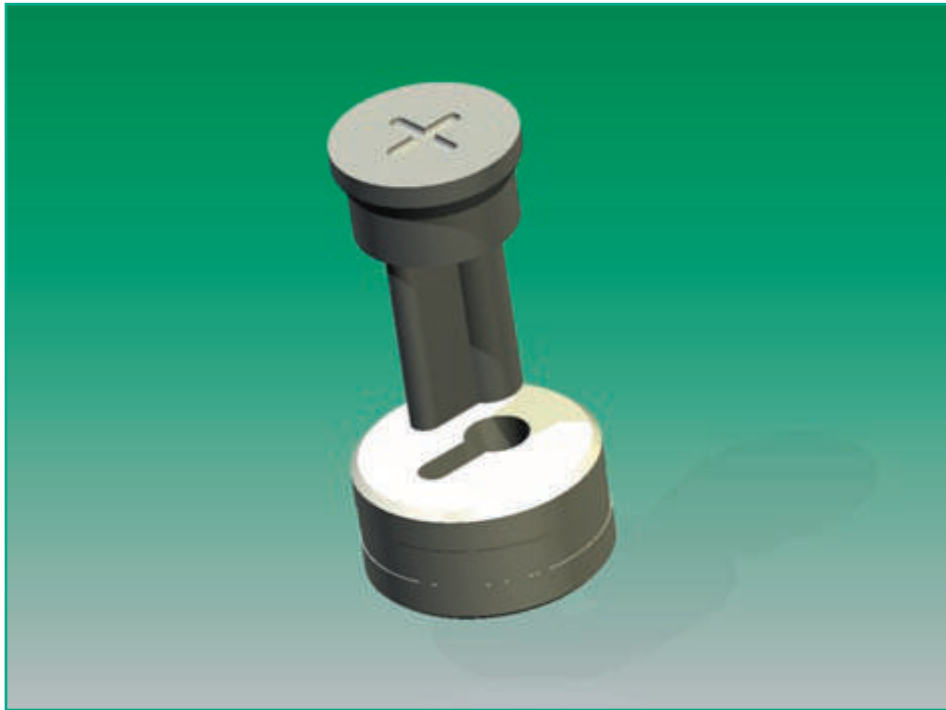
Damit sich die Lebensdauer von Stempeln und Matrizen verlängert und die Stanzqualität verbessert wird, sollten folgende Punkte beachtet werden:

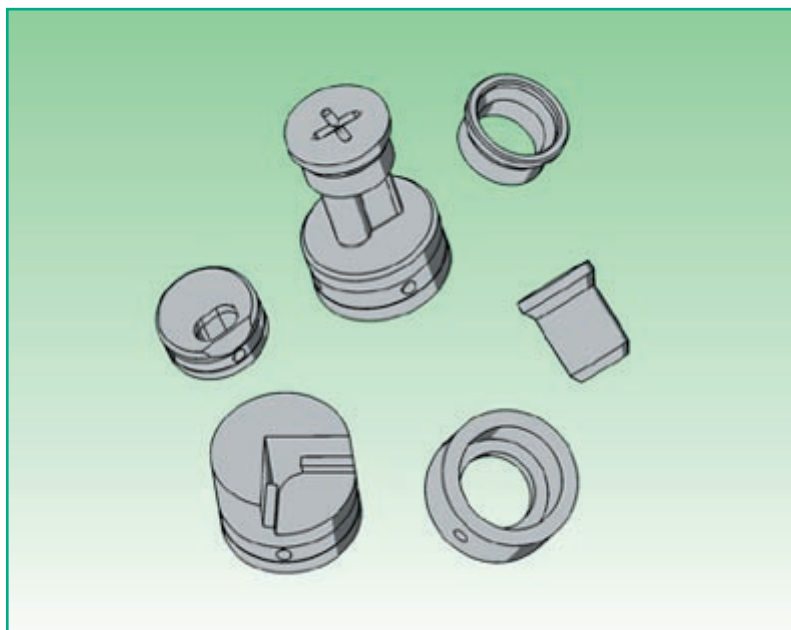
- richtiges Schneidspiel zwischen Stempel und Matrize, d. h. 10 % der Materialstärke (bei Sondermaterial eventuell Rücksprache)
- beim Einbau der Werkzeuge auf gleichmäßiges Spiel zwischen Stempel und Matrize achten.
- beim Stanzen mit Stempelsprühgeräten arbeiten oder den Stempel manuell mit Stanzöl bestreichen.
- bei Formstempeln muss die mitgelieferte Passfeder eingebaut werden.
- Stempel und Matrize müssen fest und sicher in der Vorrichtung eingebaut sein. (Fingerschutzklappe anbringen)
- der Abstreifer muss parallel zur Matrizenoberfläche sein, bei höheneinstellbaren Abstreifern, nahe an Materialoberfläche absenken.
- der Stempeldurchmesser darf nicht kleiner sein, wie die zu stanzende Materialstärke.
- zum Schutz von Maschine und Werkzeug sollte die benötigte Stanzkraft nach folgender Formel überprüft werden:

$\text{Lochumfang} \times \text{Materialstärke} \times \text{Materialfestigkeit}$

Wir stehen Ihnen bei Fragen jederzeit gerne zur Verfügung.

Katalog-Nr. 2, Ausgabe 2015





Schülpe
Werkzeug- und Maschinenfabrik GmbH

Im Gewerbegebiet 13
D-26817 Rhauderfehn
Telefon: +49 (0)4952 - 8 95 44 - 0
Telefax: +49 (0)4952 - 8 95 44 - 19
info@schuelpke.de
www.schuelpke.de